

CIRCULAR SINGLE BOX FANS - Sabina AC



Features

- 125mm to 400mm diameter
- Air flow up to 0.66 m³/s
- Static pressures up to 510 Pa
- Suitable for mounting in all positions

Electrical Supply

- 220 - 240V / 50Hz / 1 Ph

Temperature Range

- Up to 60°C (depending on size see table for more information)

Sizes

125, 160, 200, 250, 315, 355 and 400

Product Code

SABINA 125

Features and Construction

The Sabina has casing which is galvanized and made from sheet steel. Within the unit there is acoustic insulation made from fibre glass with a thickness of 40 mm.

- SABINA - Product Name
- 125 = Diameter size
- L = (optional, larger motor)

Impeller

The Sabina has a forward curved centrifugal impeller made from galvanized steel sheet.

Accessories (See pages 136-140)

Motor

Motor-impeller is balanced to ISO 1940 standard.

The range of accessories include duct clamps, filters, guards, dampers, silencers, mounting brackets, shutters. A quick reference guide is shown below. NB; Weather proofing available on request.

Wiring

Insulation class F with additional moisture protection impregnation and thermal contacts which are connected in series with the windings of the motor.

Speed Controllers

Speed is 100% infinitely variable using auto transformers or electronic control (see pages 235-287).

Please Note: Electronic speed controller may cause harmonic.



AIRTREND Limited
 Predstavništvo u Beogradu
 Kumanovska 14
 11000 Beograd
 Tel: 011 3836886, 3085740
 Faks: 011 3444113
 e-mail: gobrid@eunet.rs
 web: www.airtrend.rs

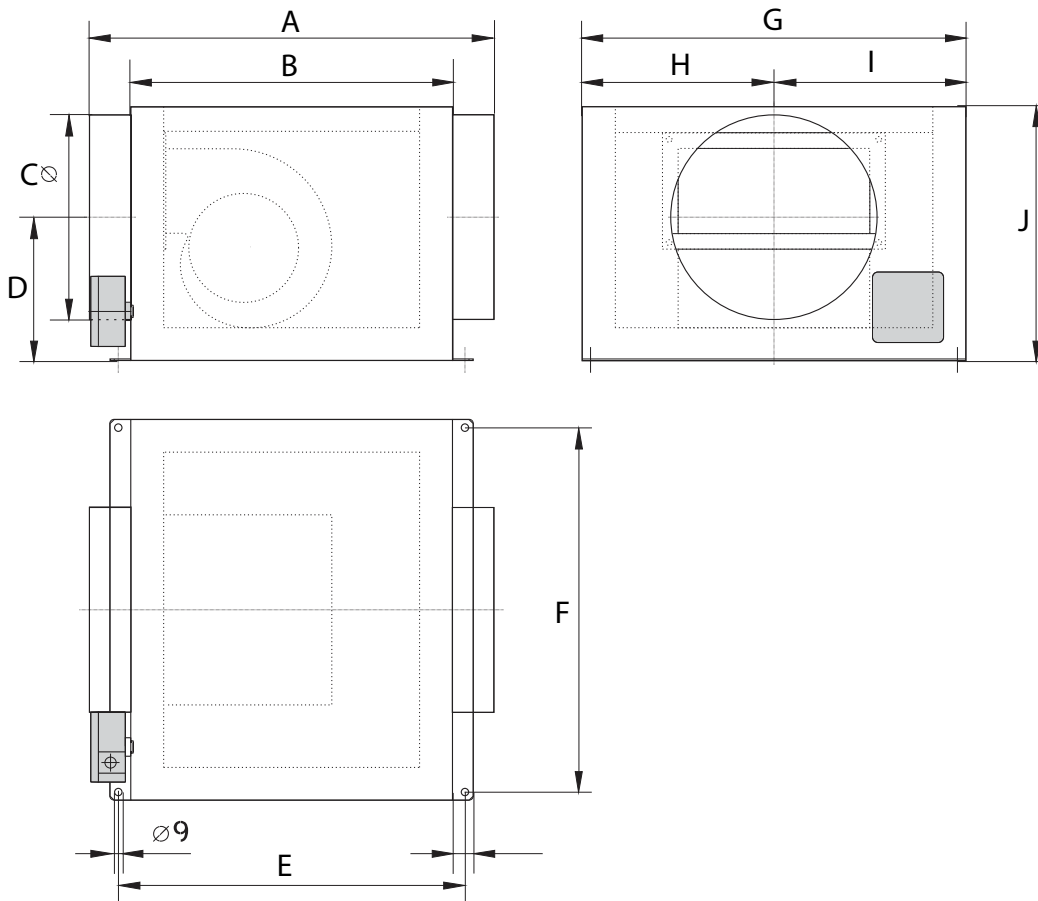
Electrical Details and Sound Levels



Product Code	Product Number	Speed rpm	Motor Frame	Electrical Supply	Electrical Current			Wiring Diagram	Maximum Operating Temp °C	Breakout *Sound Level db(A) (3m)	**Speed Controllers Transformers
					Motor (kW)	Full Load Current (A)	Starting Current (A)				
SABINA 125	ZE125001	1990	Integral	220-240v/50Hz/1ph	0.01	0.43	0.82	CD3004	60	39	TEID 1
SABINA 150	ZE150001	1800	Integral	220-240v/50Hz/1ph	0.01	0.54	0.65	CD3004	55	44	TEID 1
SABINA 200	ZE200001	1920	Integral	220-240v/50Hz/1ph	0.01	0.90	0.99	CD3004	50	47	TEID 1
SABINA 250 L	ZE250002	2130	Integral	220-240v/50Hz/1ph	0.01	1.40	1.68	CD3004	40	51	TEID 1.5
SABINA 315	ZE315001	1360	Integral	220-240v/50Hz/1ph	0.01	2.60	6.5	CD3005	40	55	TEID 3.5
SABINA 355	ZE355001	1320	Integral	220-240v/50Hz/1ph	0.01	3.00	7.5	CD3005	40	52	TEID 3.5
SABINA 400†	ZE400001	1300	Integral	220-240v/50Hz/1ph	0.01	4.00	8	CD3005	45	56	TEID 5

*Sound power levels are average dBA at 3 metres distance over sphere, under free field conditions and are presented for comparative purposes only. Values taken at the mid point on the wave at the highest point. **For speed controllers, please see pages 235-287. For ErP efficiency ratings and grades please refer to our Fan Selector for more information. †2013 ErP compliant, for 2015 equivalent please enquire.

Drawing and Dimensions



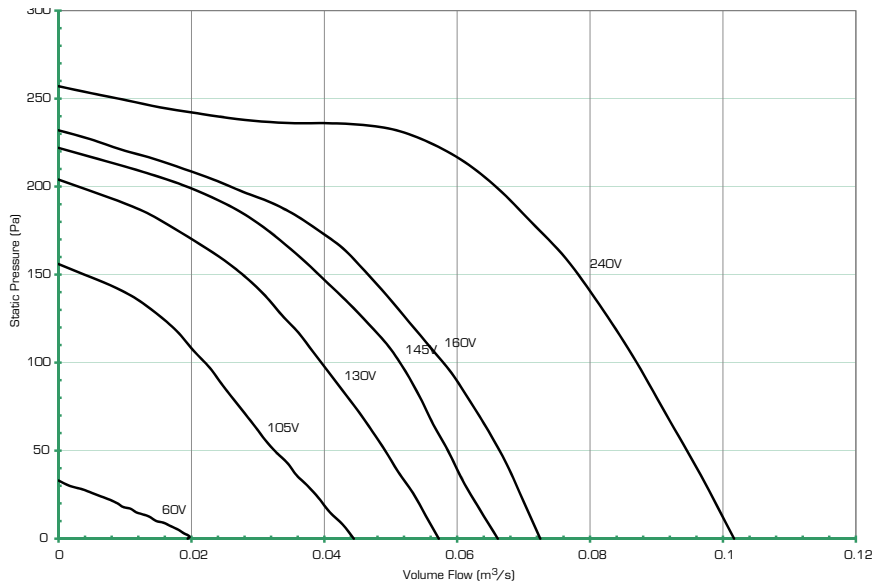
Product Code	A	B	C	D	E	F	G	H	I	J	Weight max (kg)
SABINA 125	400	300	122	97	332	270	300	205	170	260	11
SABINA 150	460	360	160	185	390	320	340	170	170	280	12.5
SABINA 160	460	360	160	185	390	320	340	170	170	280	12.5
SABINA 250 L	490	390	250	175	420	445	465	232.5	232.5	315	18.5
SABINA 315	680	580	315	227.5	610	575	595	210	385	425	40
SABINA 355	680	580	355	227.5	610	575	595	230	365	425	40
SABINA 400	680	650	400	250	610	625	645	250	395	475	46

All dimensions shown in mm

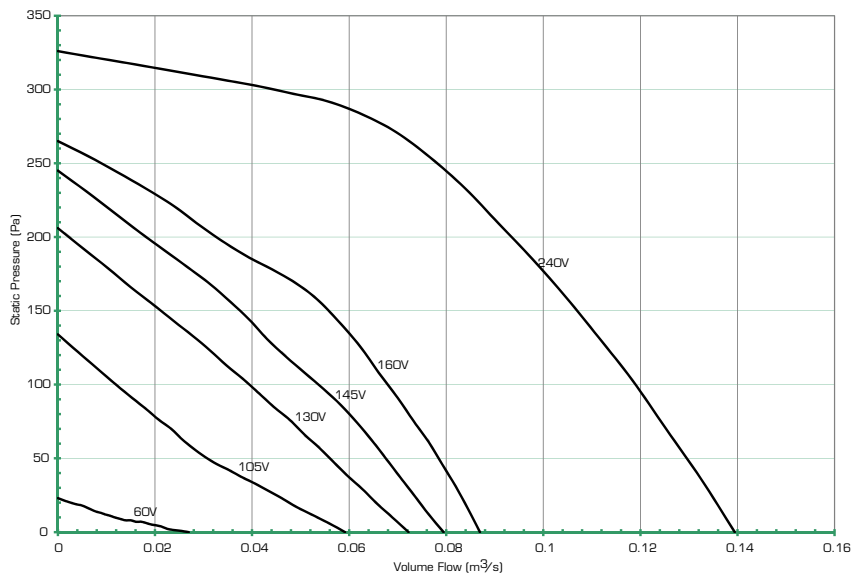
Distribution Range - Products in bold are available from our UK Distributors on next day delivery, if ordered by 4pm. Please call to confirm availability on 0333 320 2489.

Performance Data

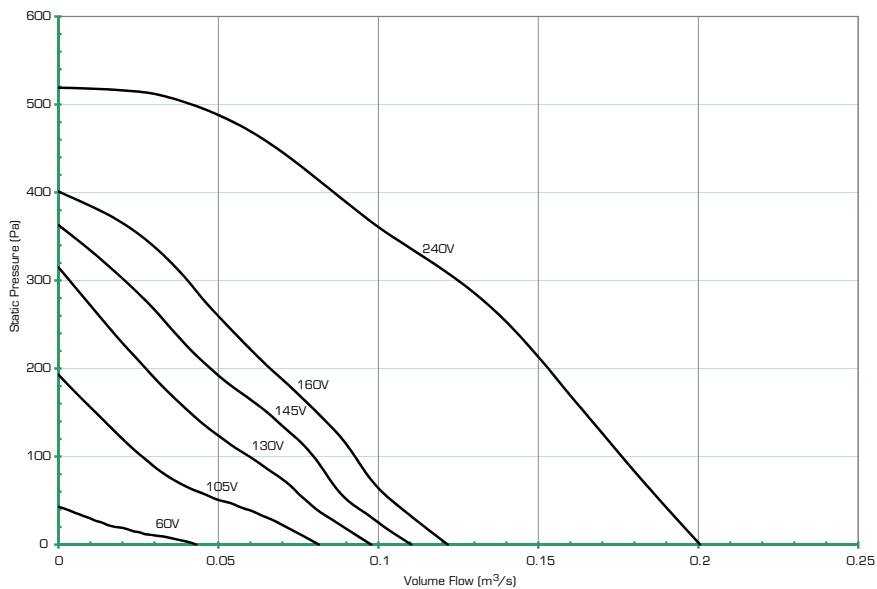
SABINA - 125 - ZE125001



SABINA - 150 - ZE150001

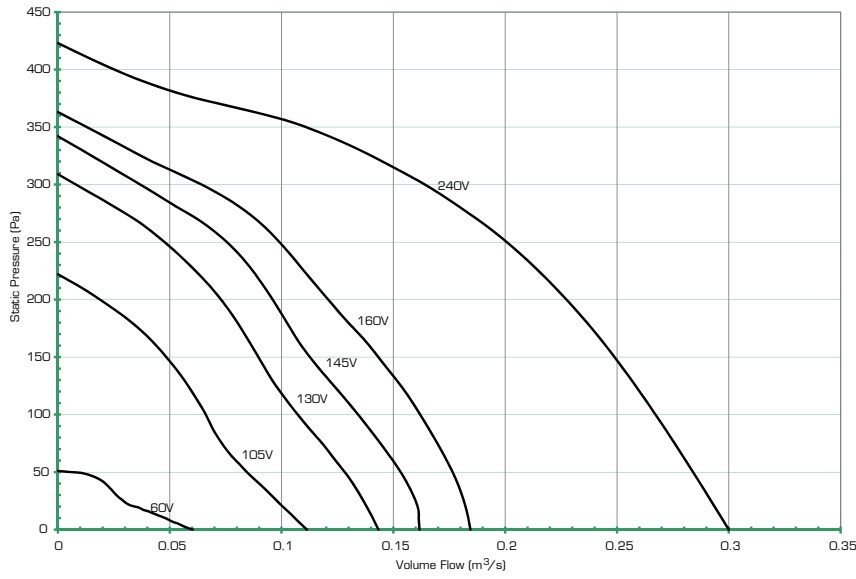


SABINA - 200 - ZE200001

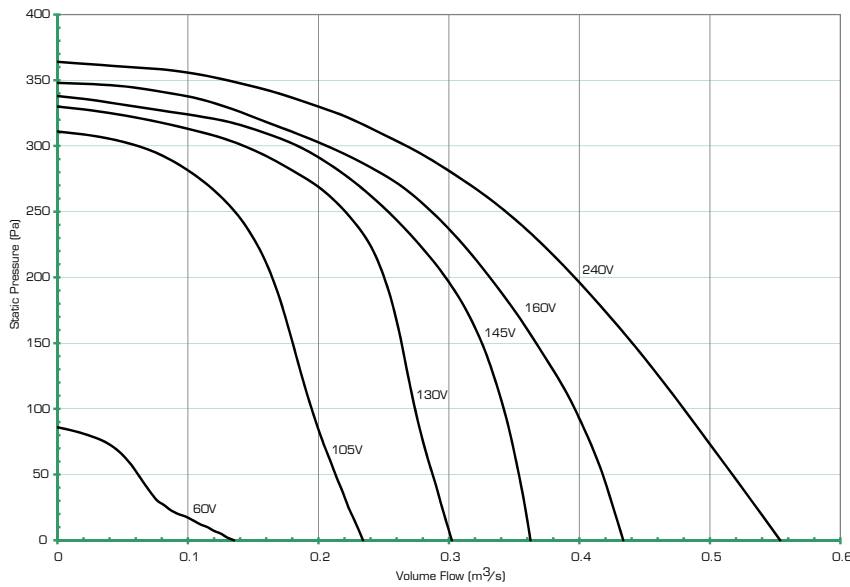


Performance Data

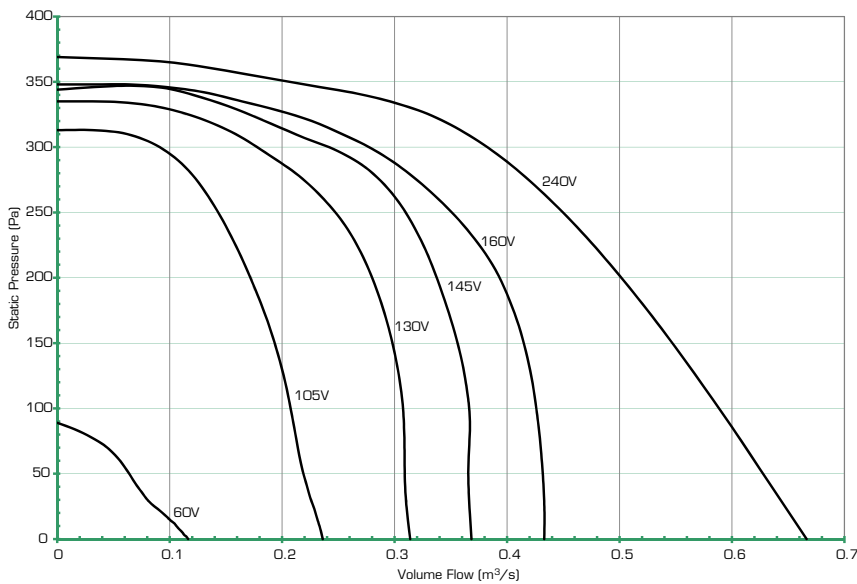
SABINA - 250L - ZE250002



SABINA - 315 - ZE315001

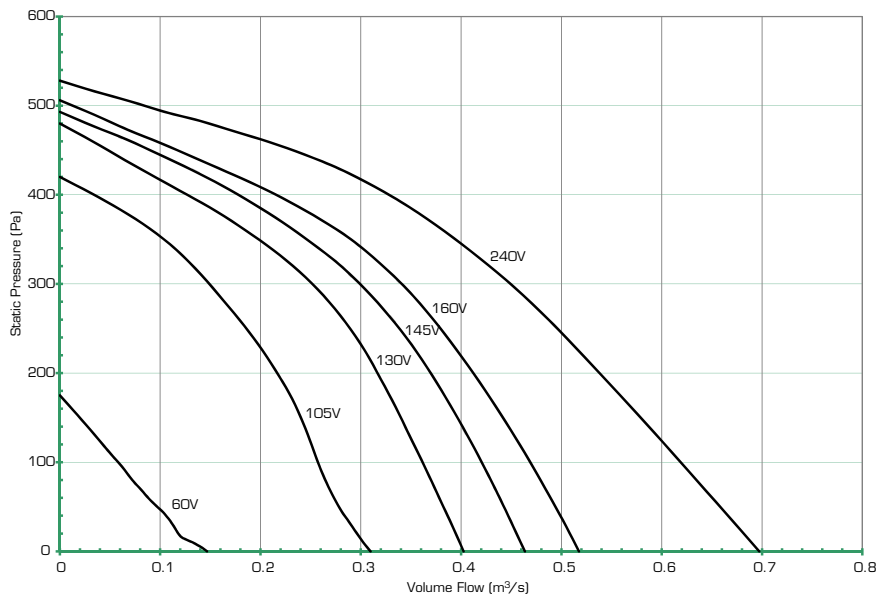


SABINA - 355 - ZE355001



Performance Data

SABINA - 400 - ZE400001



Wiring Diagrams

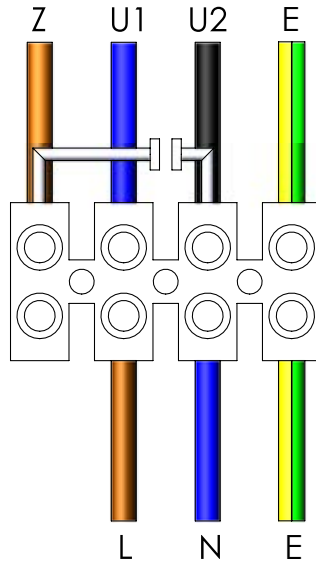
CD3004

SINGLE PHASE
AC CIRCULAR SINGLE
BOX FANS

MOTOR LEADS

FOR VARIABLE SPEED
CONTROL CONNECT
LIVE OUTPUT FROM
CONTROLLER TO U1
ON FAN AND NEUTRAL
OUTPUT TO U2 ON FAN.

FAN
TERMINAL
BLOCK

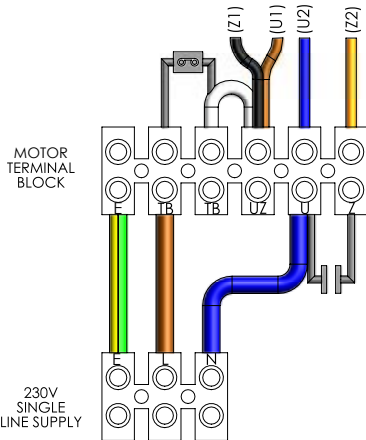


SINGLE PHASE SUPPLY

CD3005

SINGLE PHASE AC CIRCULAR
SINGLE BOX FANS
(SPEED CONTROLLED)

TO CHANGE FAN ROTATION
INTERCHANGE CABLES (Z1) AND (Z2).



FAN CONNECTED TO SUPPLY (FULL SPEED)

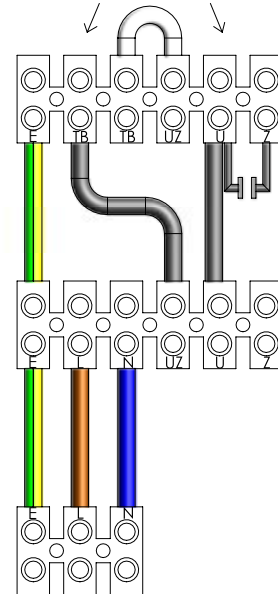
MOTOR TERMINATIONS
SAME AS FULL SPEED

MOTOR
TERMINAL
BLOCK

ME1... SPEED CONTROLLER

2 WIRE CONTROL
UZ (LIVE)
U (VARIABLE NEUTRAL)

230V
SINGLE
LINE SUPPLY



FAN CONNECTED TO SPEED CONTROLLER (VARIABLE SPEED)

CIRCULAR SINGLE BOX FANS - Sabina EC



Features

- 125mm to 1000mm
- Air flow up to 3.5m³/s
- Static pressures up to 1250 Pa
- Suitable for variable or constant pressure systems
- Includes BMS interface as standard

Electrical Supply

- 220 - 240V / 50Hz / 1 Ph
- 380 - 420V / 50Hz / 3 (450, 630 & 1000 size only)

Temperature Range

- Up to 60°C (depending on size see table for more information)

Sizes

125, 150, 200, 250, 315, 450, 630 and 1000.

Product Code

SABINA EC 125

Construction

Casings are manufactured from pre-galvanised sheet steel and are carefully designed to provide a strong and rigid casing to minimise vibration. Sabina EC 125 Fan units have circular inlet and outlet spigots with a double-lip neoprene seal to minimise air leakage. The units are internally lined with re-engineered, high quality acoustic foam with an erosion proof facing to prevent the carry over of fibres into the air stream. Units are designed for either internal or external mounting as standard. Flakt Woods offers circular spigots for sizes up to 630 diameter as standard. The largest unit has a 1000 x 600mm.

- SABINA - Product Name
- EC - EC Motor
- 125 = Diameter size

Mounting

Suitable for both horizontal and vertical mounting (Suitable for vertical mounting air flow up only, up to size 250).

Accessories (See pages 136-140)

The range of accessories include duct clamps, filters, guards, dampers, silencers and mounting brackets. A quick reference guide is shown below.

Impeller

Impellers High efficiency backward curved centrifugal impeller design.

Motors

This product incorporates EC Motor technology which is designed to optimize energy savings. Motor speed control is via a 0-10v signal giving a high degree of controllability. Operating temperature range from -25°C to +65°C.



Speed Controllers

All units are fully speed controllable using our '2nd generation' integral intelligent fan controller. The 3 phase Sabina EC Fan variant is fitted with an electrical isolator as standard.

(This unit can be inverted for bottom access up to size 250)

Electrical Details and Sound Levels

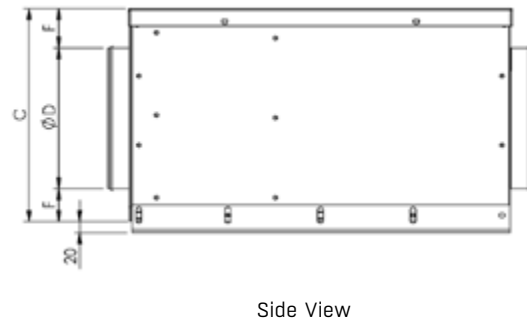
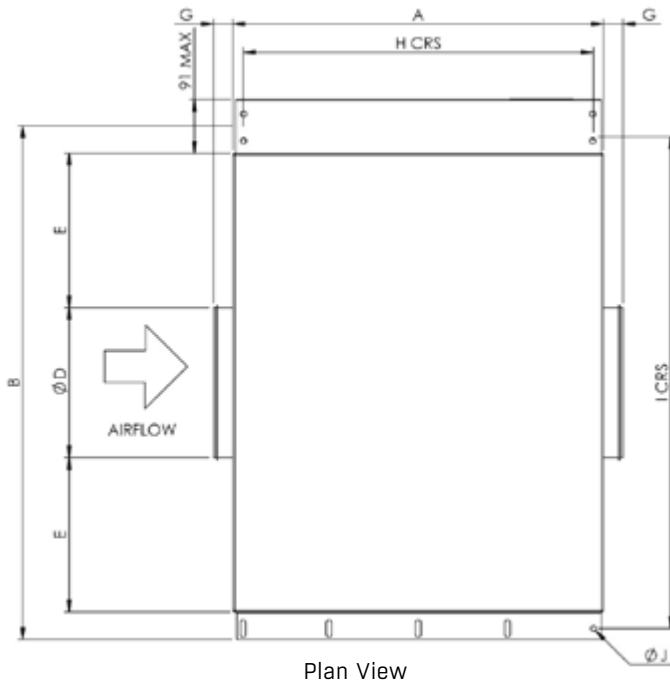


Product Code	Product Number	Voltage	Motor Frame	Electrical Supply	Electrical Current			Wiring Diagrams	Maximum Operating Temp °C	Breakout Sound Level db(A) (3m)*
					Motor (kW)	Full Load Current (A)	Starting Current (A)			
SABINA EC 125	EC012111	10	Integral	220-240 V/50 Hz/1 Ph	0.83	0.75	0.75	CD3006	60	<20
SABINA EC 150	EC015111	10	Integral	220-240 V/50 Hz/1 Ph	0.83	0.75	0.75	CD3006	60	<20
SABINA EC 200	EC020111	10	Integral	220-240 V/50 Hz/1 Ph	0.082	0.7	0.7	CD3006	60	<20
SABINA EC 250	EC011110	10	Integral	220-240 V/50 Hz/1 Ph	0.54	3.39	3.39	CD3006	60	48
SABINA EC 315	EC021110	10	Integral	220-240 V/50 Hz/1 Ph	0.505	3.1	3.1	CD3006	40	46
SABINA EC 450	EC031110	10	Integral	220-240 V/50 Hz/1 Ph	0.64	2.9	2.9	CD3006	60	45
SABINA EC 450	EC043110	10	Integral	380-420 V/50 Hz/3 Ph	1.01	1.6	1.6	CD3007	60	50
SABINA EC 630	EC053110	10	Integral	380-420 V/50 Hz/3 Ph	2.8	4.35	4.35	CD3007	40	56
SABINA EC 1000	EC063110	10	Integral	380-420 V/50 Hz/3 Ph	2.9	4.65	4.65	CD3007	40	56

*Sound power levels are average dBA at 3 metres distance over sphere, under free field conditions and are presented for comparative purposes only. Values taken at the mid point on the wave at the highest point. For ErP efficiency ratings and grades please refer to our Fan Selector for more information.

Drawings and Dimensions

SABINA EC - 125, 150, 200, 250, 315 AND 450



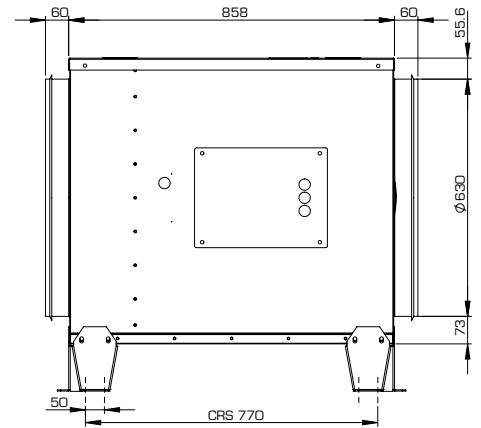
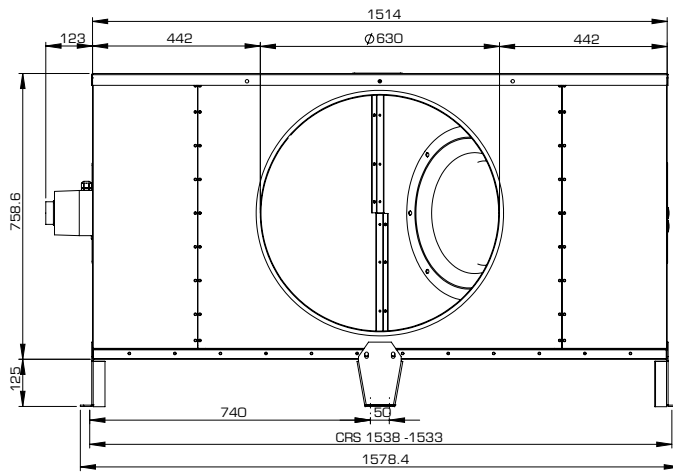
Size	A	B	C	ØD	E	F1	F2	G	H CRS	I CRS	ØJ	Weight (kg)
SABINA EC 125	412	626	280	125	250	72	80	40	380	610	10	20
SABINA EC 150	412	626	280	150	238	62	69	40	380	610	10	20
SABINA EC 200	492	710	325	200	220	49	63	40	460	692	10	25
SABINA EC 250	614	870	384	250	260	-	67	40	588	833	9	51
SABINA EC 315	734	960	440	315	272.5	-	62.5	40	708	923	9	65
SABINA EC 450	1054	1306	615	450	381.6	-	82.5	65	1028	1269	9	134

All dimensions shown in mm

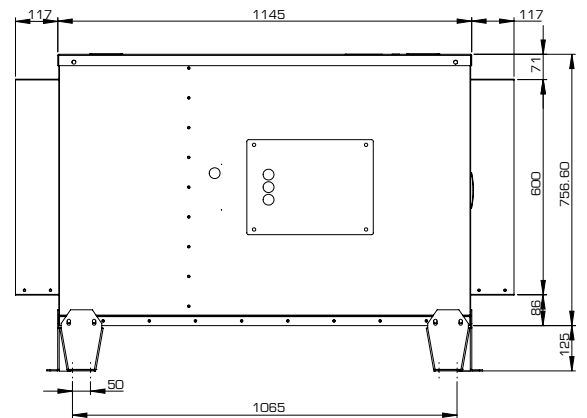
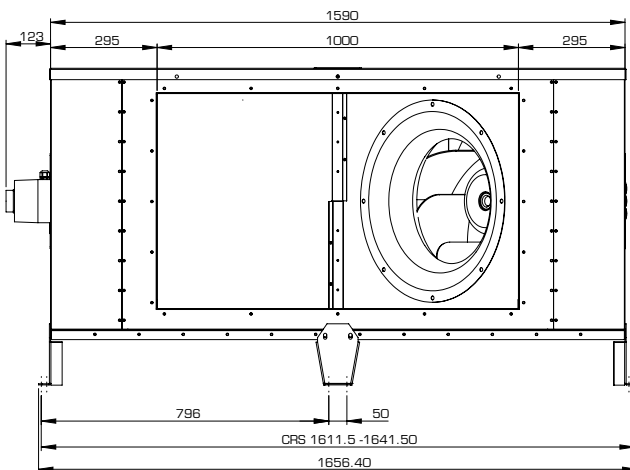
Distribution Range - Products in bold are available from our UK Distributors on next day delivery, if ordered by 4pm. Please call to confirm availability on 0333 320 2489.

Drawings and Dimensions

SABINA EC - 630



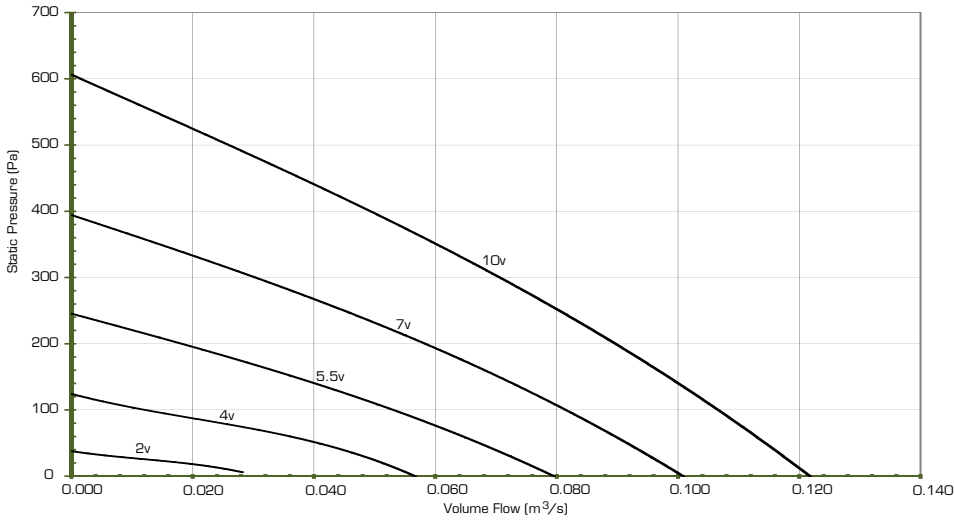
SABINA EC - 1000



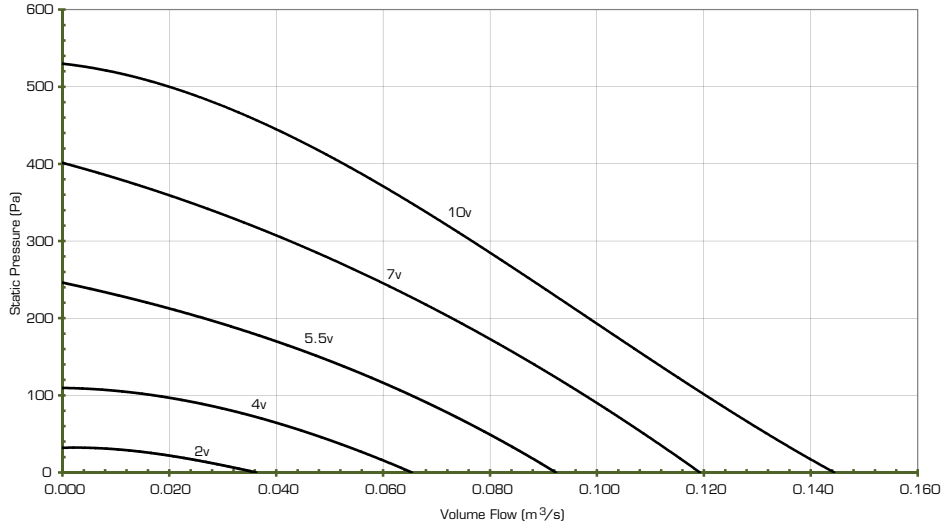
Note: Rectangular spigot

Performance Data

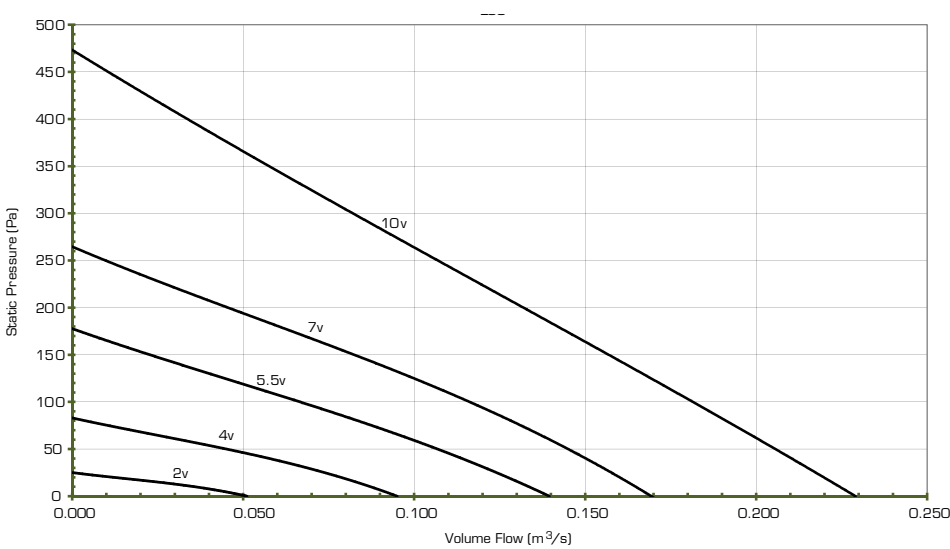
SABINA EC - 125 - EC012111



SABINA EC - 150 - EC015111

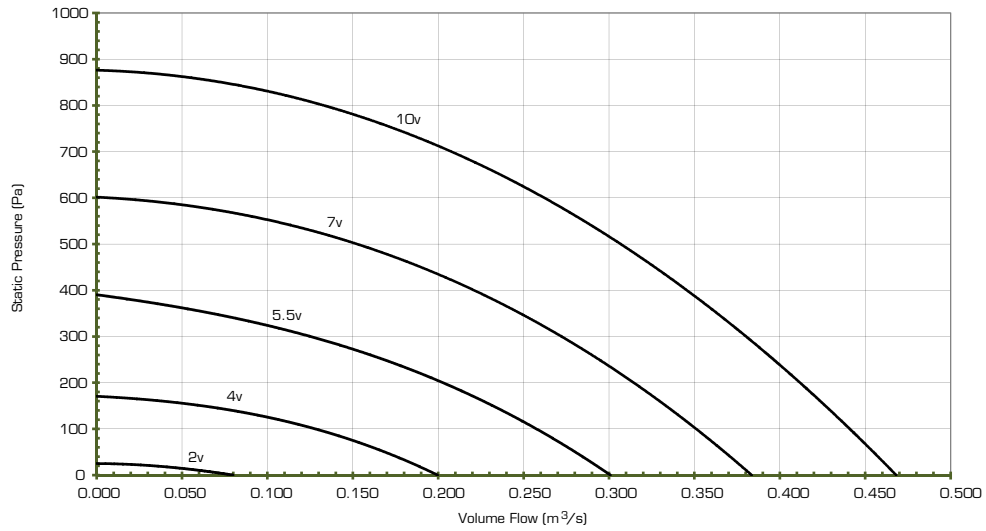


SABINA EC - 200 - EC020111

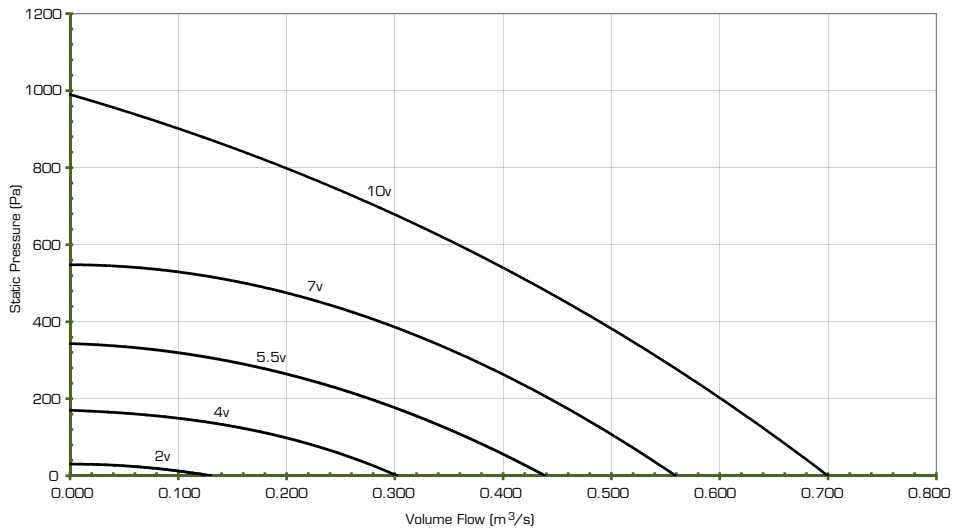


Performance Data

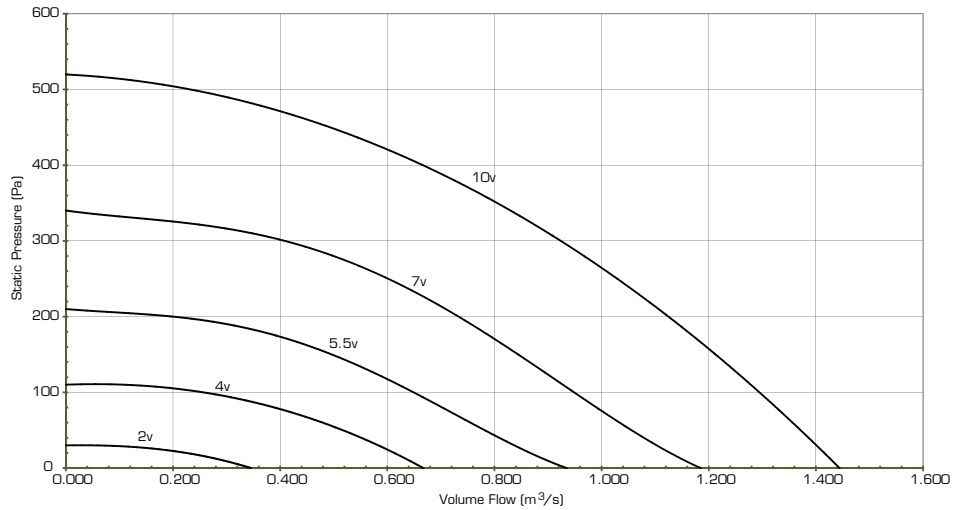
SABINA EC - 250 - EC011110



SABINA EC - 315 - EC021110

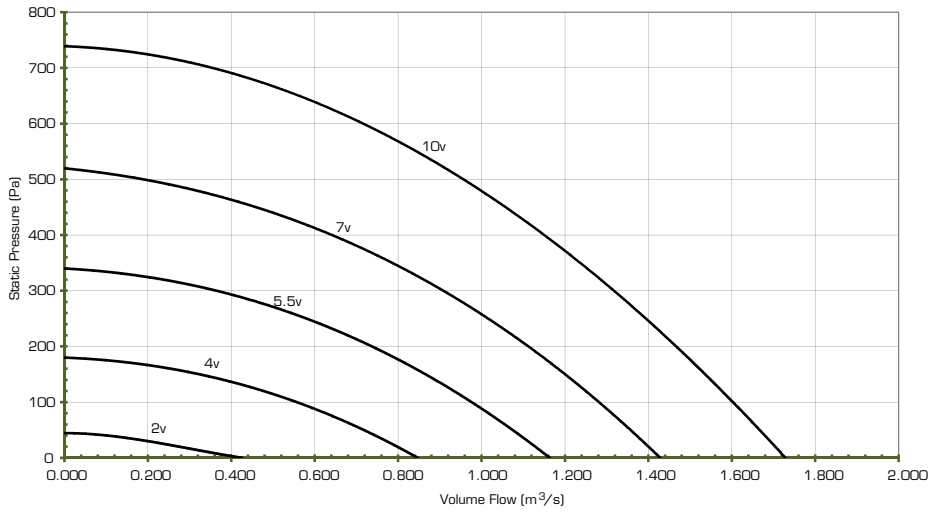


SABINA EC - 450 (SINGLE PHASE) - EC031110

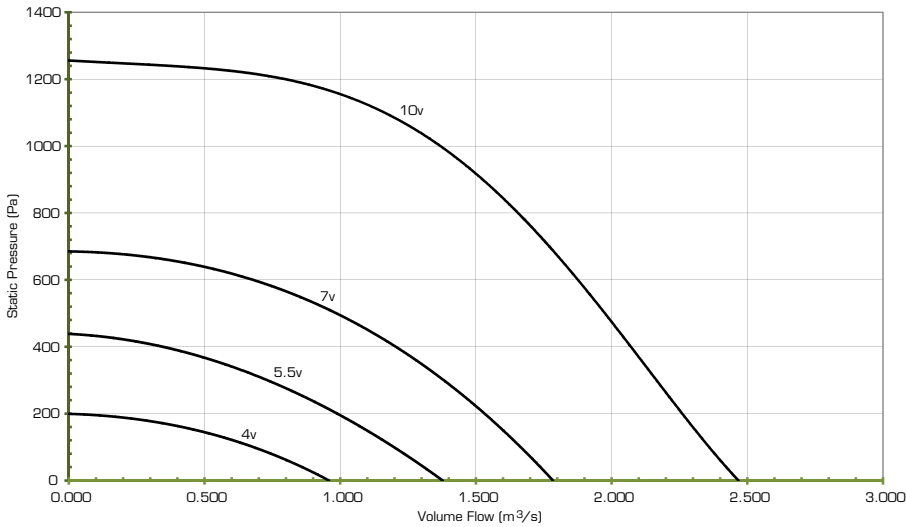


Performance Data

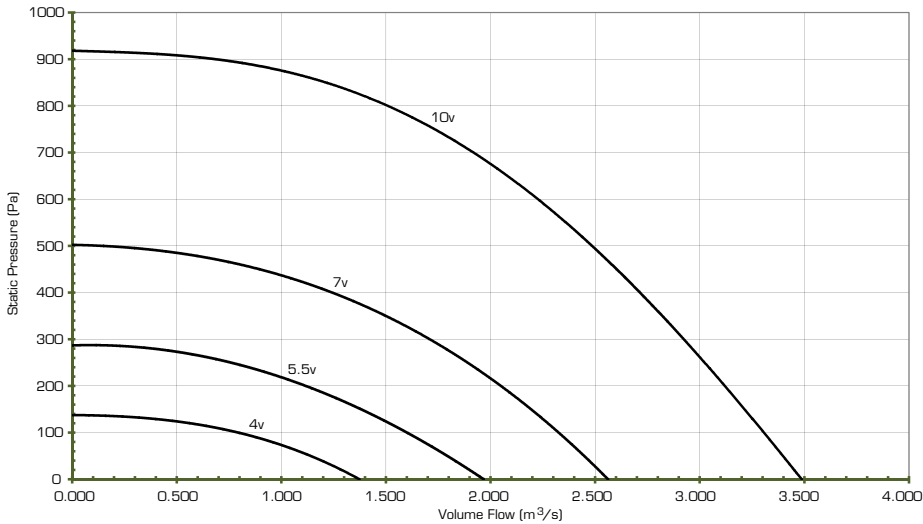
SABINA EC - 450 (THREE PHASE) - EC043110



SABINA EC - 630 - EC053110

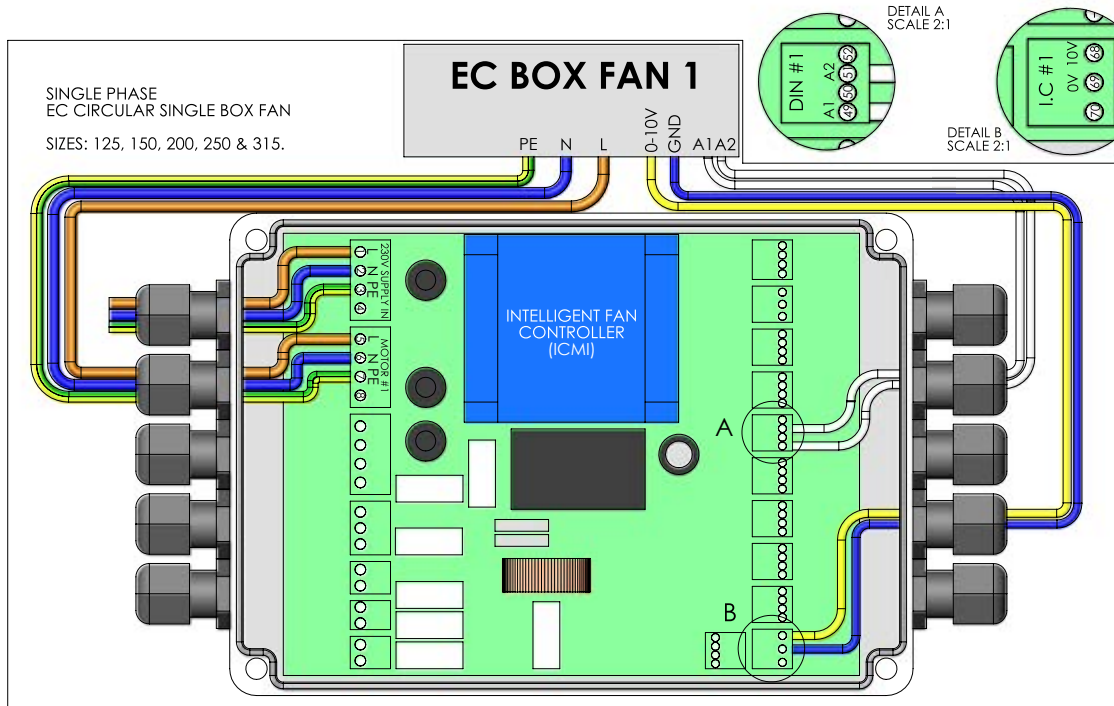


SABINA EC - 1000 - EC063110

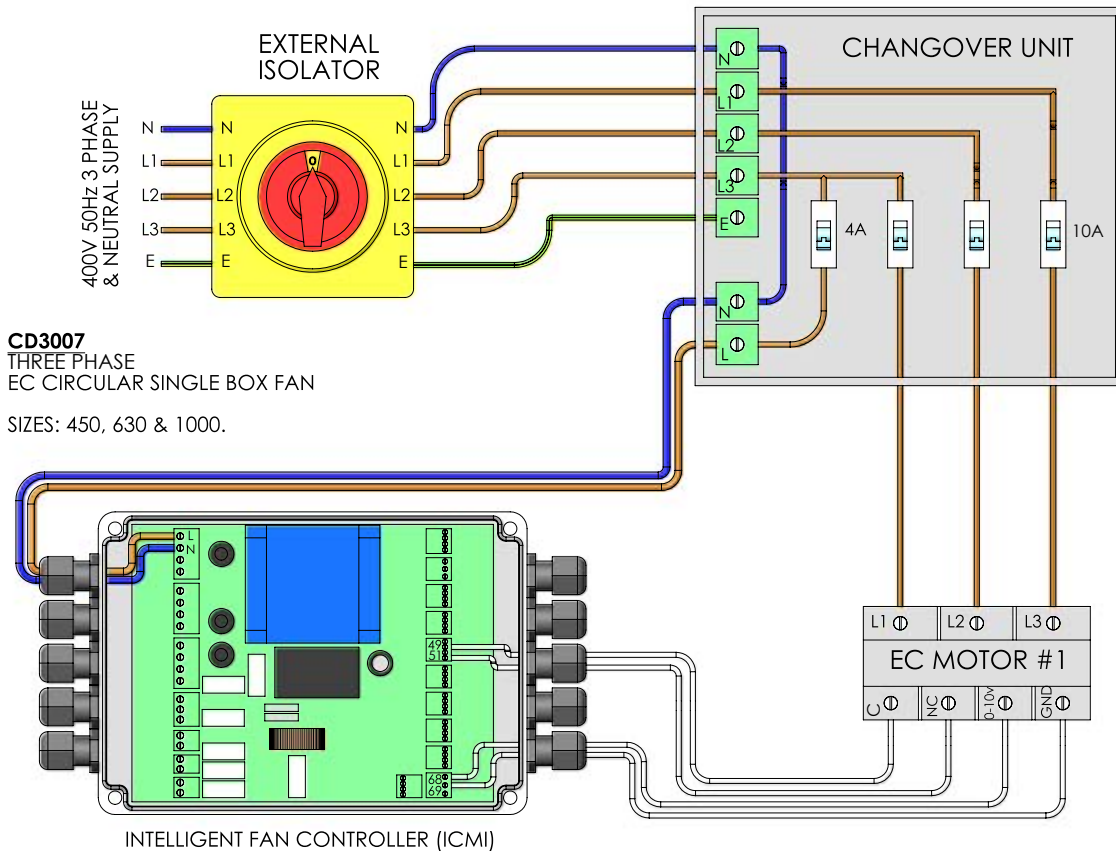


Wiring Diagrams

CD3006 - 1ph SABINA EC (Sizes 125, 150, 200, 250 and 315)



CD3007 - 3ph SABINA EC (Sizes 450, 630 and 1000)



CIRCULAR TWIN BOX FANS - Daisho AC



Features

- 100 mm to 315 mm
- Air flow up to 0.76 m³/s
- Static pressures up to 640 Pa
- Suitable for variable or constant pressure systems
- Twin Fans for run and standby operation

Electrical Supply

- 220 - 240V / 50Hz / 1 Ph

Temperature Range

- Up to 60°C (depending on size see table for more information)

Sizes

100, 125, 150, 200, 250 and 315.

Product Code

DAISHO AC 125

Construction

Casings are manufactured from pre-galvanised sheet steel and are carefully designed to provide a strong and rigid casing to minimise vibration. Daisho AC 125 Fan units have circular inlet and outlet spigots with a double-lip neoprene seal to minimise air leakage. The units are internally lined with re-engineered, high quality acoustic foam with an erosion proof facing to prevent the carry over of fibres into the air stream. Units are designed for either internal or external mounting as standard. Flakt Woods offers circular spigots for sizes up to 315 diameter as standard.

- DAISHO - Product Name
- AC - AC Motor
- 125 = Diameter size

Mounting

Suitable for both horizontal and vertical mounting (suitable for vertical mounting air flow up only, up to size 250).

Accessories (See pages 136-140)

The range of accessories include duct clamps, filters, guards, dampers, silencers and mounting brackets. A quick reference guide is shown below.

Impeller

Impellers High efficiency backward curved centrifugal impeller design.

Motors

The Daisho AC TwinBox fan incorporates AC Motor technology.

Speed Controllers

Speed is 100% infinitely variable using auto transformers or electronic control (please see page 229-282). (The unit can be inverted for bottom access up to size 250)



CFC



BDS



FLS



BDER



CIG



CFB



Controls Transformer



iFan



Auto Change over panel

Electrical Details and Sound Levels

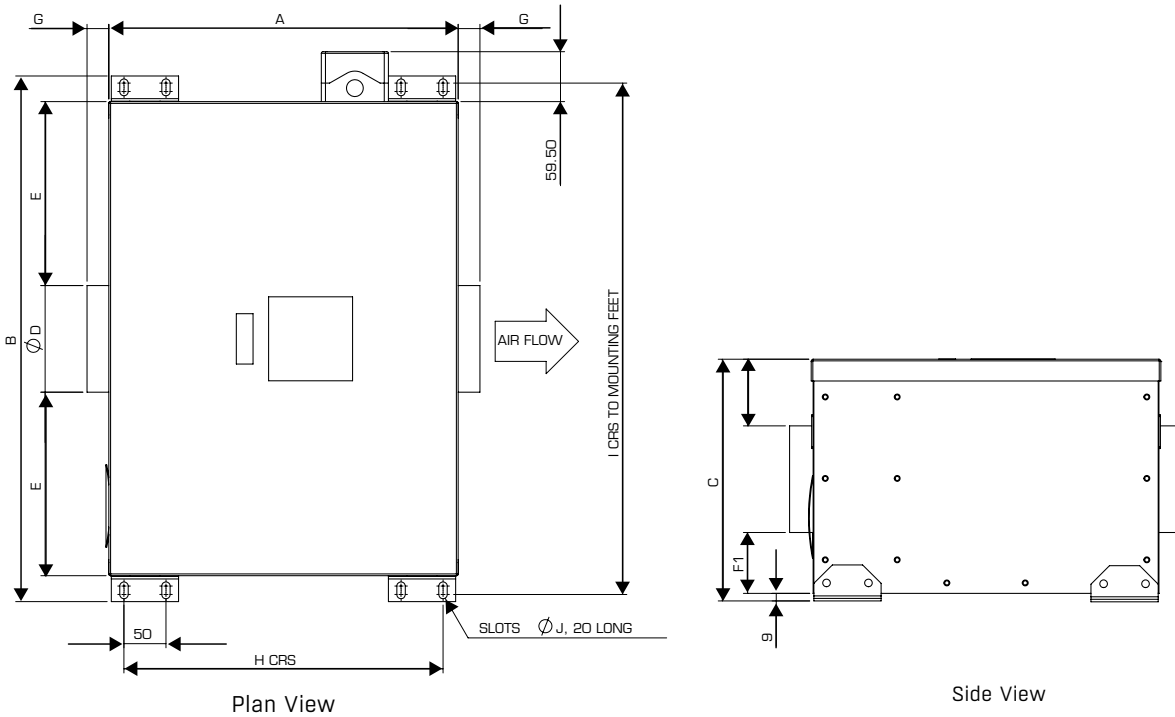


Product Code	Product Number	Speed	Motor Frame	Electrical Supply	Electrical Current			Wiring Diagrams	Maximum Operating Temp °C	Breakout Sound Level db(A) (3m)*	**Speed Controllers Transformer/ Inverter
					Motor (kW)	Full Load Current (A)	Starting Current (A)				
Daisho AC TwinBox 100	AC010211	2350	Integral	220-240 V/50 Hz/1 Ph	0.052	0.23	0.37	CD3008	65	37	TEID 1
Daisho AC TwinBox 125	AC012211	2350	Integral	220-240 V/50 Hz/1 Ph	0.052	0.23	0.37	CD3008	65	36	TEID 1
Daisho AC TwinBox 150	AC015211	2650	Integral	220-240 V/50 Hz/1 Ph	0.135	0.6	1.2	CD3008	55	45	TEID 1
Daisho AC TwinBox 200	AC020211	2650	Integral	220-240 V/50 Hz/1 Ph	0.135	0.6	1.2	CD3008	55	45	TEID 1
Daisho AC TwinBox 250	AC025211	2750	Integral	220-240 V/50 Hz/1 Ph	0.15	1.1	3.15	CD3008	70	43	TEID 2.2
Daisho AC TwinBox 315	AC031211	1330	Integral	220-240 V/50 Hz/1 Ph	0.27	1.18	2.2	CD3008	60	50	TEID 2.2

*Sound power levels are average dBA at 3 metres distance over sphere, under free field conditions and are presented for comparative purposes only. Values taken at the mid point on the wave at the highest point. ** For speed controllers, please see pages 235-287. For ErP efficiency ratings and grades please refer to our Fan Selector for more information.

Drawings and Dimensions

DAISHO AC - 100, 125, 150, 200, 250 and 315



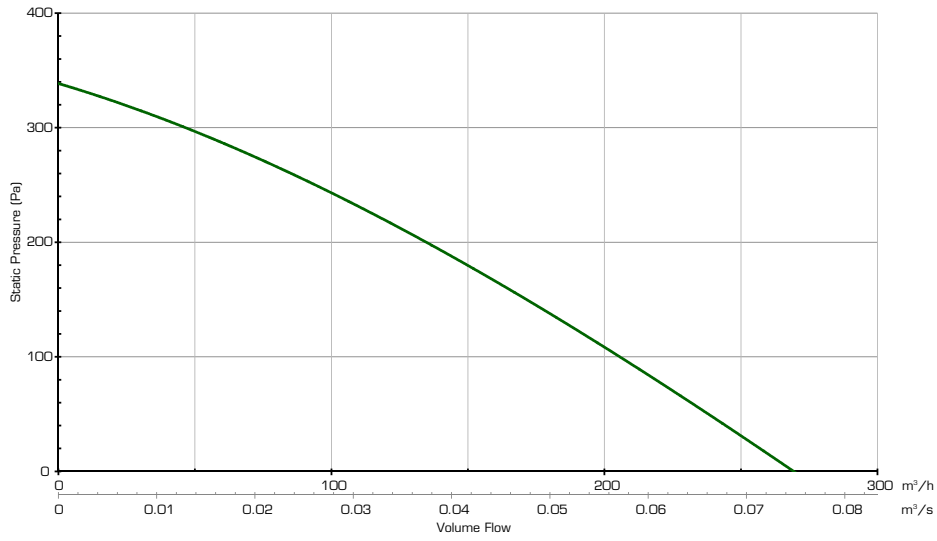
Product Code	Product Number	A	B	C	ØD	E	F	F	G	H CRS	ICRS	ØJ	Weight
DAISHO AC 100	AC011211	412	626	280	125	250	72	80	40	380	610	10	17
DAISHO AC 125	AC012211	412	626	280	150	238	62	69	40	380	610	10	17
DAISHO AC 150	AC015211	492	710	325	200	220	49	63	40	460	692	10	25
DAISHO AC 200	AC020211	492	710	325	200	220	49	63	40	460	692	10	25
DAISHO AC 250	AC025211	614	870	384	250	260	-	67	40	588	833	9	35
DAISHO AC 315	AC031211	734	960	440	315	272.5	-	62.5	40	708	923	9	55

All dimensions shown in mm

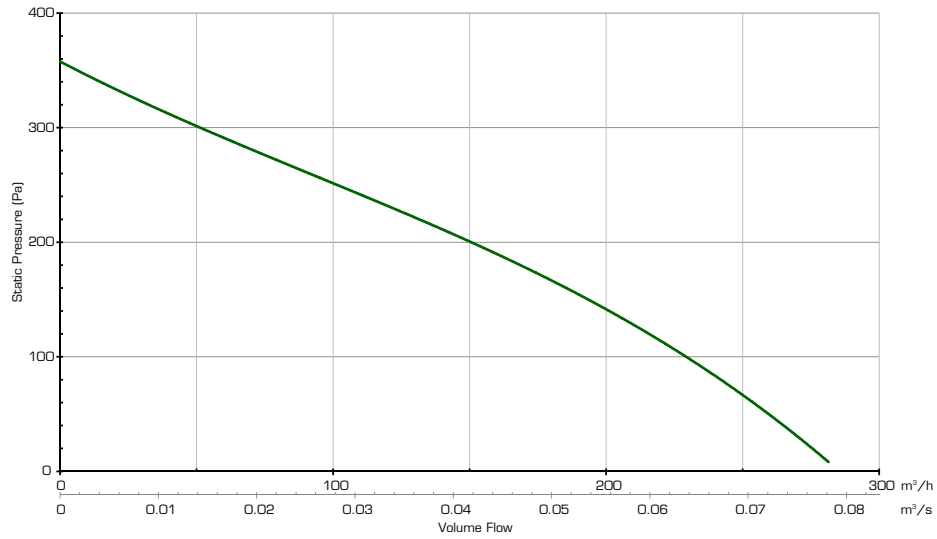
Distribution Range - Products in bold are available from our UK Distributors on next day delivery, if ordered by 4pm. Please call to confirm availability on 0333 320 2489.

Performance Data

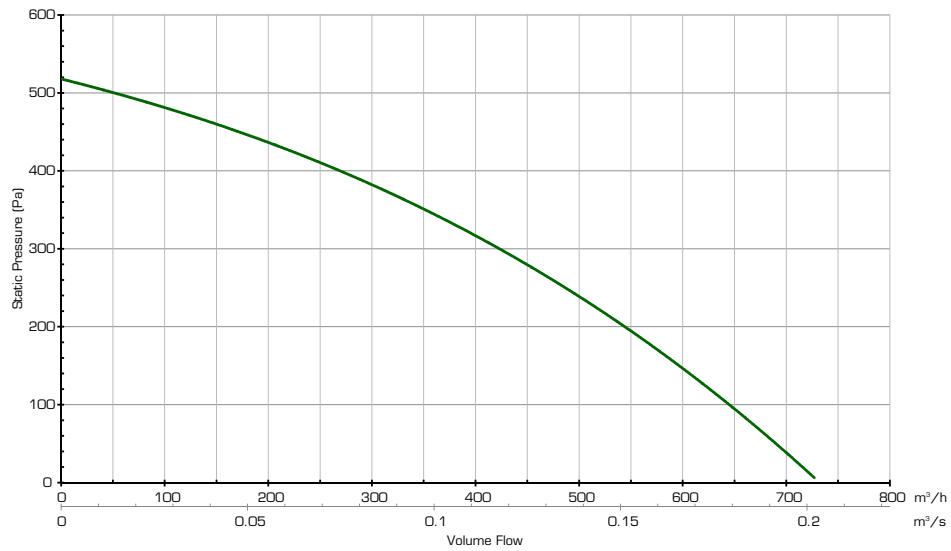
DAISHO AC - 100 - AC010211



DAISHO AC - 125 - AC012211

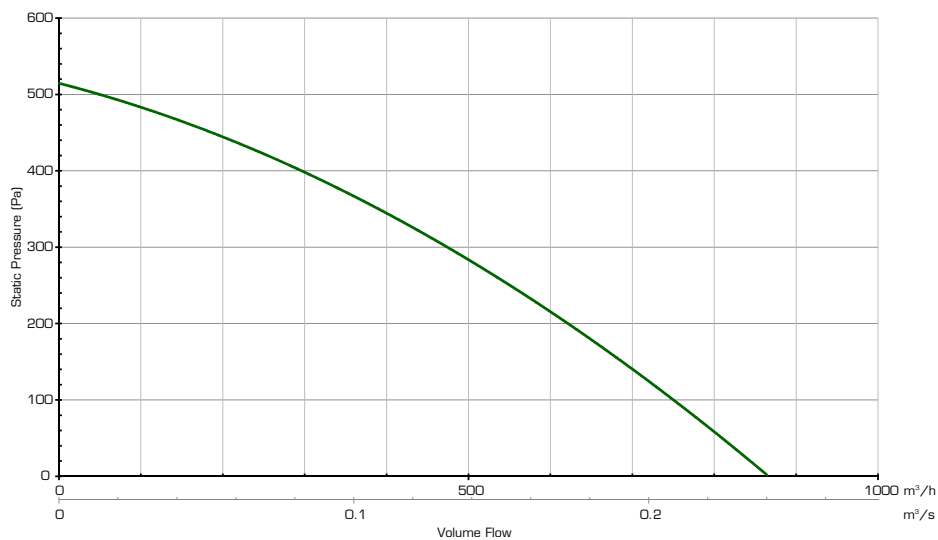


DAISHO AC - 150 - AC015211

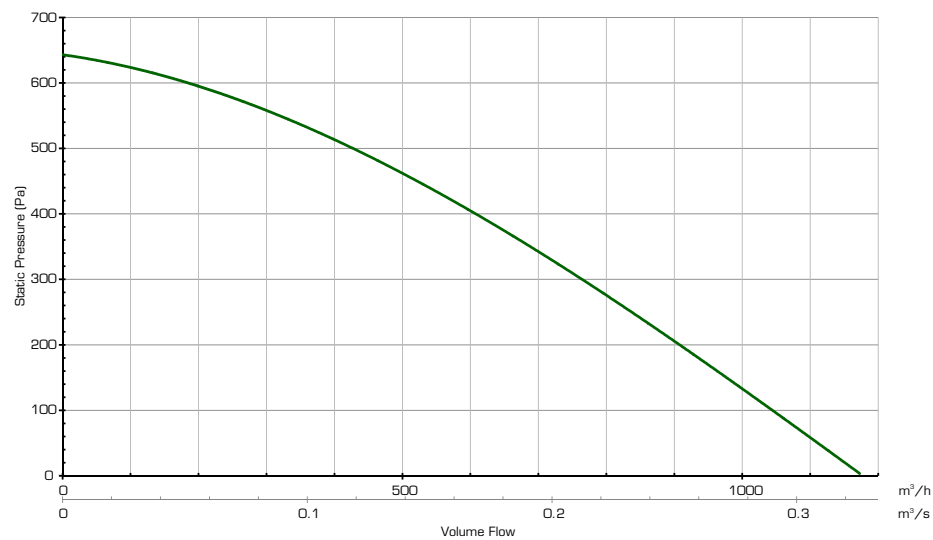


Performance Data

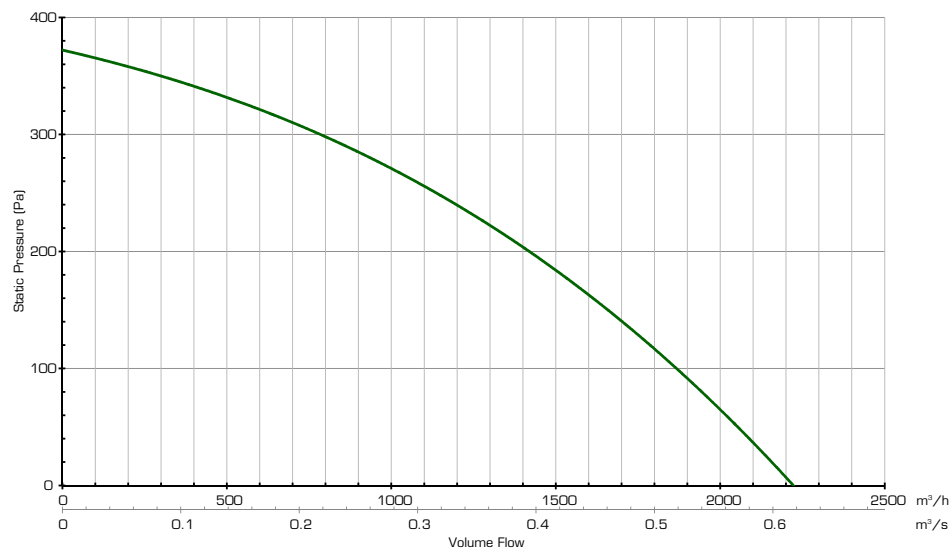
DAISHO AC - 200 - AC020211



DAISHO AC - 250 - AC025211



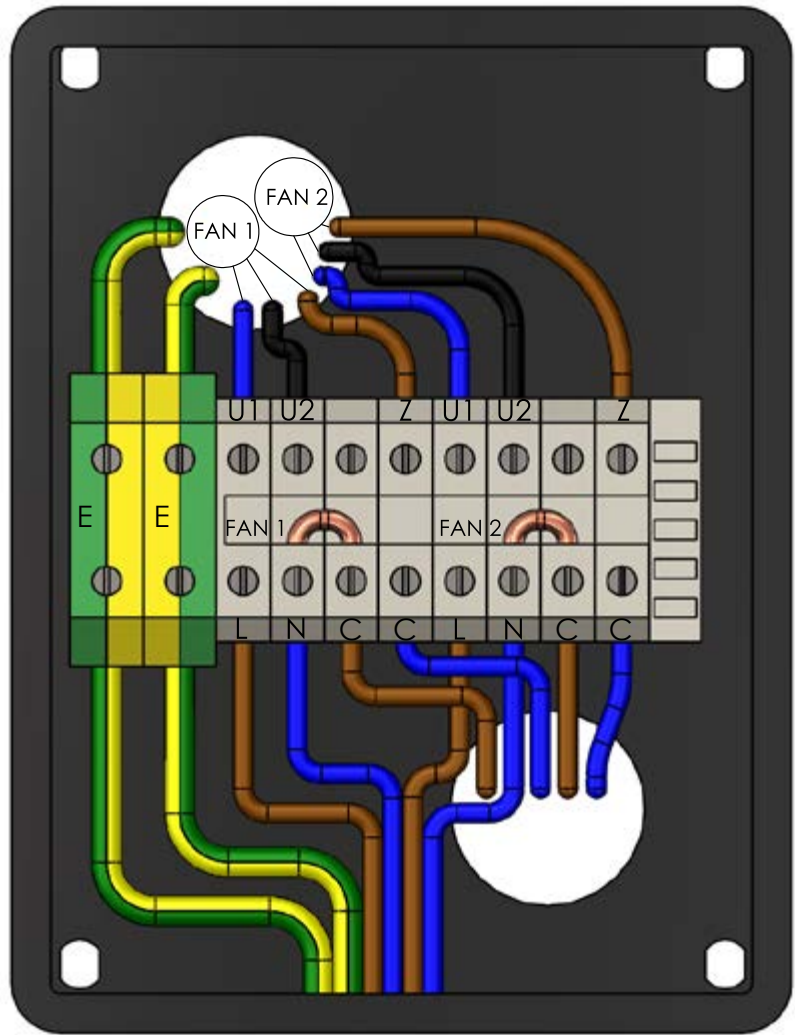
DAISHO AC - 315 - AC031211



Wiring Diagram

CD3008

SINGLE PHASE
AC CIRCULAR TWIN BOX FANS



CIRCULAR TWIN BOX FANS - Daisho EC



Features

- 125mm to 1000mm
- Air flow up to 3.5m³/s
- Static pressures up to 1250 Pa
- Suitable for variable or constant pressure systems
- Twin Fans for run and standby operation
- Includes BMS interface as standard

Electrical Supply

- 220 - 240V / 50Hz / 1 Ph
- 380 - 420V / 50Hz / 3 (450, 630 & 1000 size only)

Temperature Range

- up to 60°C (depending on size see table for more information)

Sizes

125, 150, 200, 250, 315, 450, 630 and 1000.

Product Code

DAISHO EC 125

Construction

Casings are manufactured from pre-galvanised sheet steel and are carefully designed to provide a strong and rigid casing to minimise vibration. Daisho EC 125 Fan units have circular inlet and outlet spigots with a double-lip neoprene seal to minimise air leakage. The units are internally lined with re-engineered, high quality acoustic foam with an erosion proof facing to prevent the carry over of fibres into the air stream. Units are designed for either internal or external mounting as standard. Flakt Woods offers circular spigots for sizes up to 630 diameter as standard. The largest unit has a 1000 x 600mm.

- DAISHO - Product Name
- EC - EC Motor
- 125 = Diameter size

Mounting

Suitable for both horizontal and vertical mounting (suitable for vertical mounting air flow up only, up to size 250).

Accessories (See pages 136-140)

The range of accessories include duct clamps, filters, guards, dampers, silencers and mounting brackets. A quick reference guide is shown below.

Impeller

Impellers High efficiency backward curved centrifugal impeller design.

Motors

This product incorporates EC Motor technology which is designed to optimize energy savings. Motor speed control is via a 0-10v signal giving a high degree of controllability. Operating temperature range from -25°C to +65°C.

Speed Controllers

All units are fully speed controllable using our '2nd generation' integral intelligent fan controller. The 3 phase Daisho EC Fan variant is fitted with an electrical isolator as standard.

(The unit can be inverted for bottom access up to size 250)



CFC



BDS



FLS



BDER



CIG



CFB



iFan

*fitted as standard

Electrical Details and Sound Levels

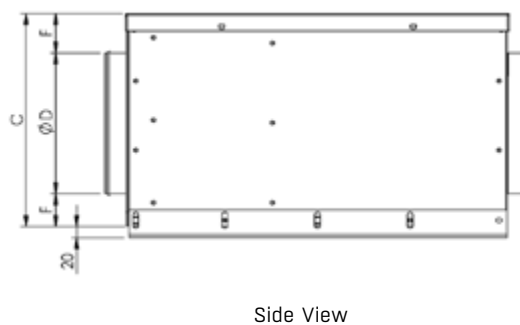
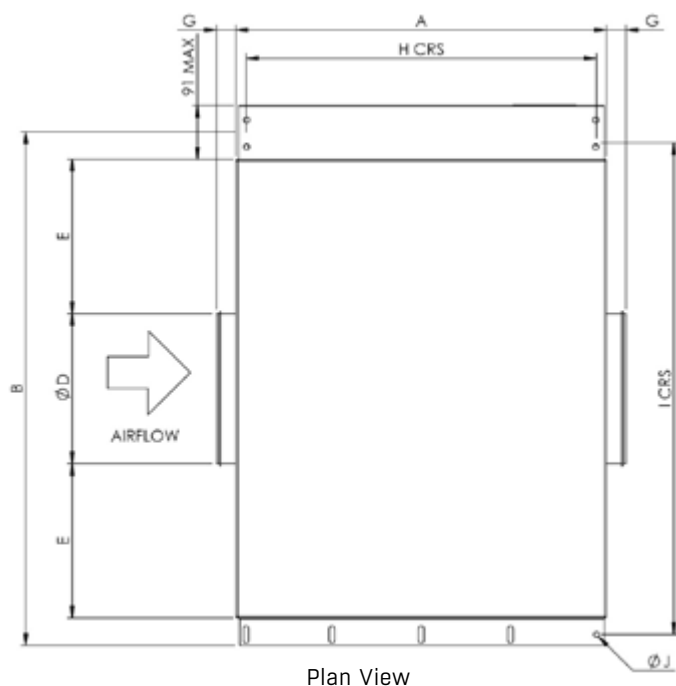


Product Code	Product Number	Voltage	Motor Frame	Electrical Supply	Electrical Current			Wiring Diagrams	Maximum Operating Temp °C	Breakout Sound Level db(A) (3m)*
					Motor (kW)	Full Load Current (A)	Starting Current (A)			
DAISHO EC 125	EC012211	10	Integral	220-240 V/50 Hz/1 Ph	0.83	0.75	0.75	CD3009	60	<20
DAISHO EC 150	EC015211	10	Integral	220-240 V/50 Hz/1 Ph	0.83	0.75	0.75	CD3009	60	<20
DAISHO EC 200	EC020211	10	Integral	220-240 V/50 Hz/1 Ph	0.082	0.7	0.7	CD3009	60	<20
DAISHO EC 250	EC011120	10	Integral	220-240 V/50 Hz/1 Ph	0.54	3.39	3.39	CD3009	60	48
DAISHO EC 315	EC021120	10	Integral	220-240 V/50 Hz/1 Ph	0.505	3.1	3.1	CD3009	40	46
DAISHO EC 450	EC031120	10	Integral	220-240 V/50 Hz/1 Ph	0.64	2.9	2.9	CD3009	60	45
DAISHO EC 450	EC043120	10	Integral	380-420 V/50 Hz/3 Ph	1.01	1.6	1.6	CD3010	60	50
DAISHO EC 630	EC053120	10	Integral	380-420 V/50 Hz/3 Ph	2.8	4.35	4.35	CD3010	40	56
DAISHO EC 1000	EC063120	10	Integral	380-420 V/50 Hz/3 Ph	2.9	4.65	4.65	CD3010	40	56

*Sound power levels are average dBA at 3 metres distance over sphere, under free field conditions and are presented for comparative purposes only. Values taken at the mid point on the wave at the highest point. For ErP efficiency ratings and grades please refer to our Fan Selector for more information.

Drawings and Dimensions

DAISHO EC - 125, 150, 200, 250, 315 and 450



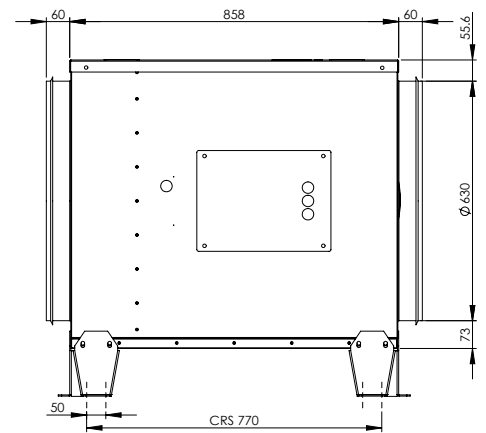
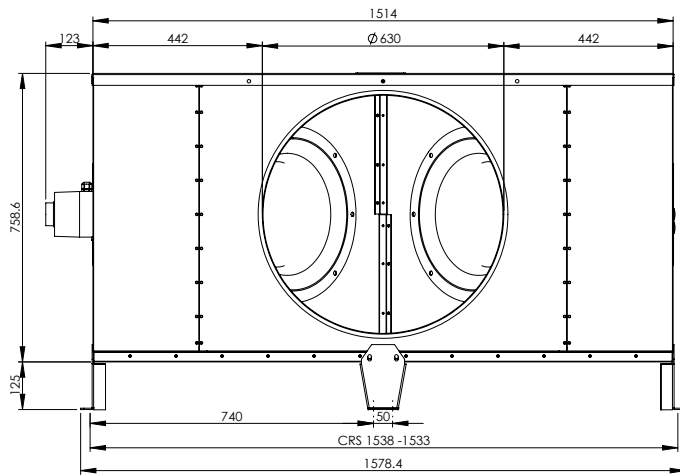
Size	A	B	C	ØD	E	F1	F2	G	H CRS	I CRS	ØJ	Weight (kg)
DAISHO EC 125	412	626	280	125	250	72	80	40	380	610	10	20
DAISHO EC 150	412	626	280	150	238	62	69	40	380	610	10	20
DAISHO EC 200	492	710	325	200	220	49	63	40	460	692	10	25
DAISHO EC 250	614	870	384	250	260	-	67	40	588	833	9	51
DAISHO EC 315	734	960	440	315	272.5	-	62.5	40	708	923	9	65
DAISHO EC 450	1054	1306	615	450	381.6	-	82.5	65	1028	1269	9	134

All dimensions shown in mm

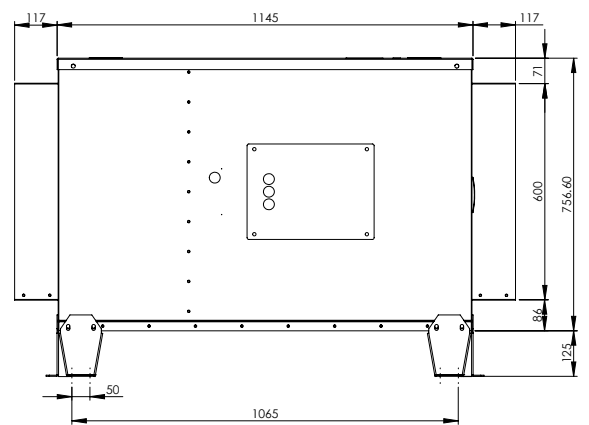
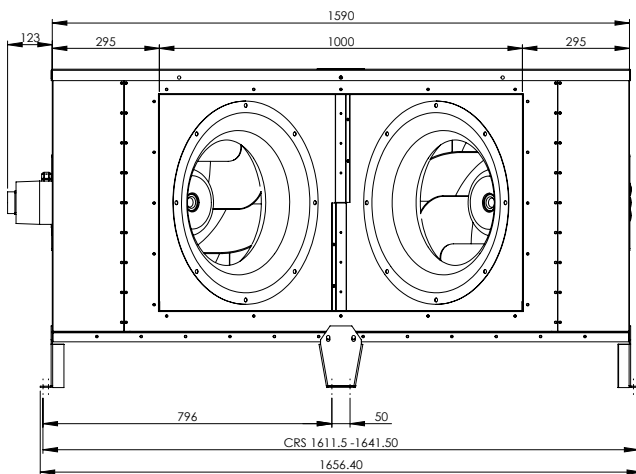
Distribution Range - Products in bold are available from our UK Distributors on next day delivery, if ordered by 4pm. Please call to confirm availability on 0333 320 2489.

Drawings and Dimensions

DAISHO EC - 630



DAISHO EC - 1000

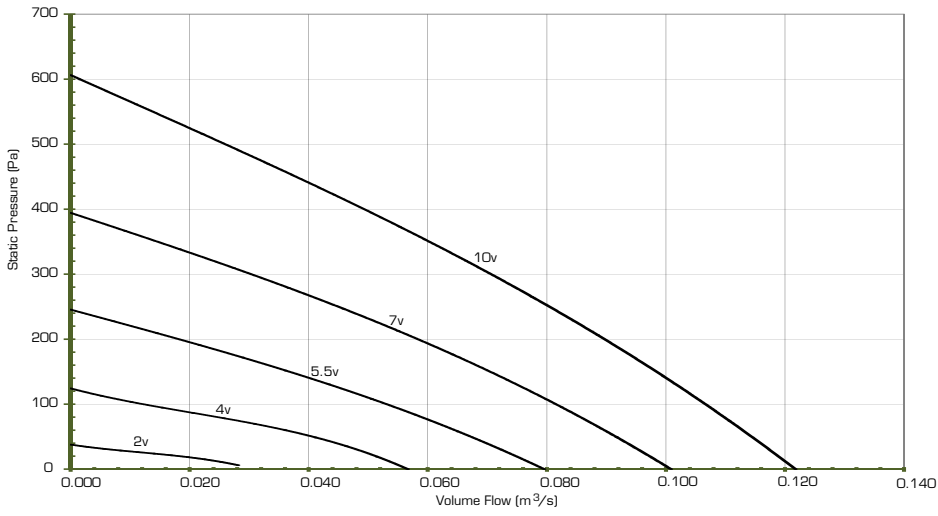


Note: Rectangular spigot

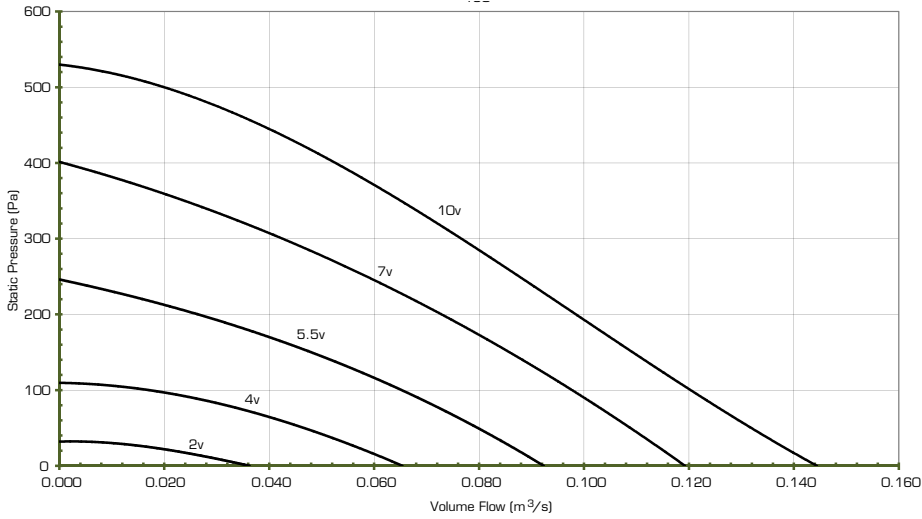
All dimensions shown in mm

Performance Data

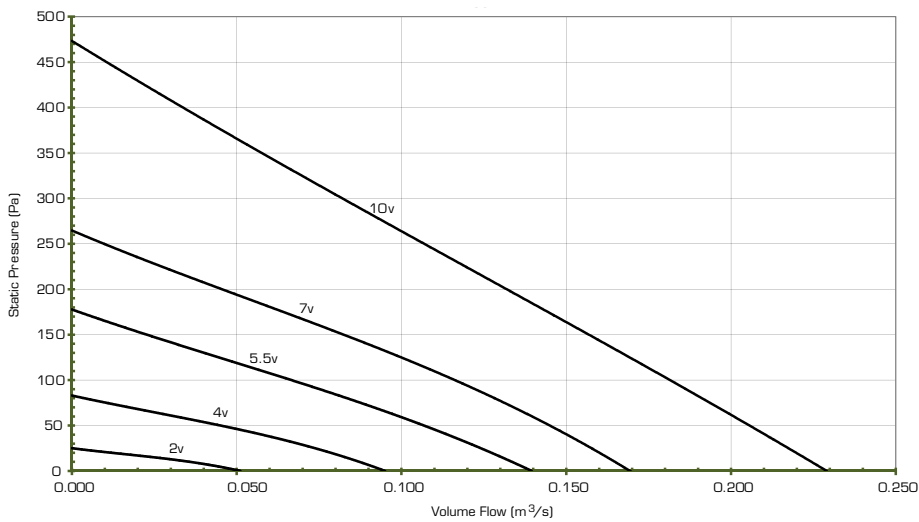
DAISHO EC - 125 - EC012211



DAISHO EC - 150 - EC015211

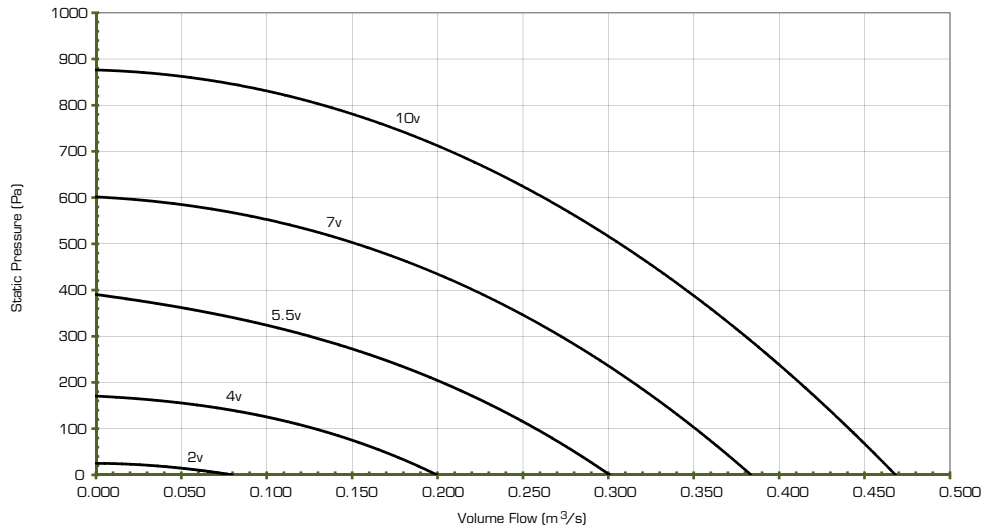


DAISHO EC - 200 - EC020211

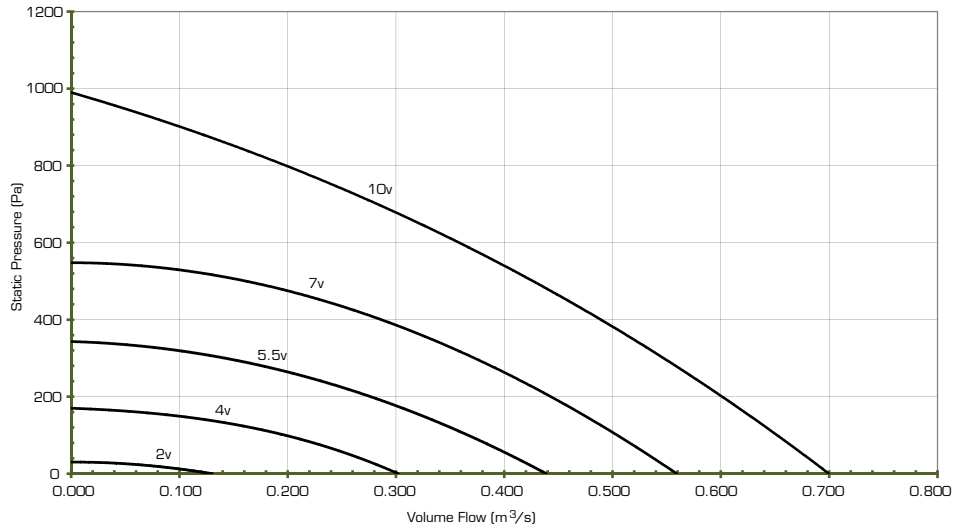


Performance Data

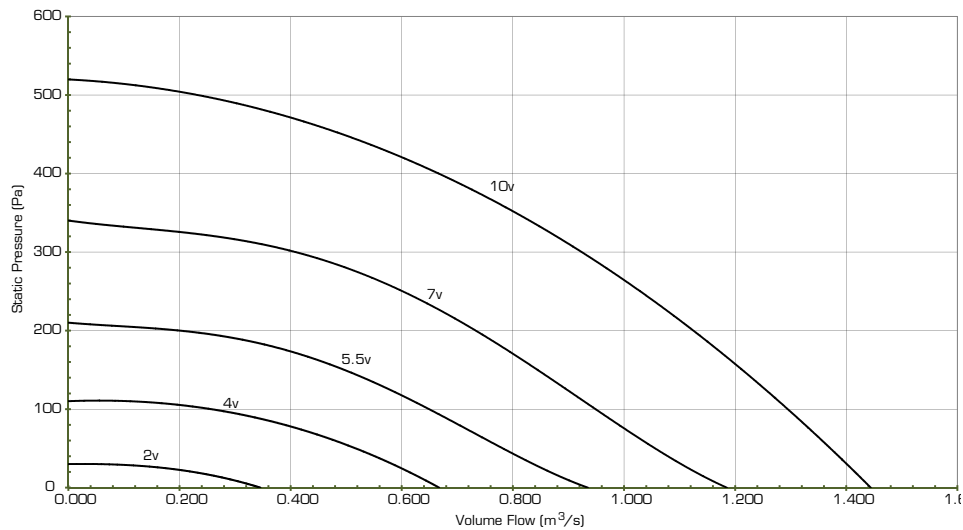
DAISHO EC - 250 - EC011120



DAISHO EC - 315 - EC021120

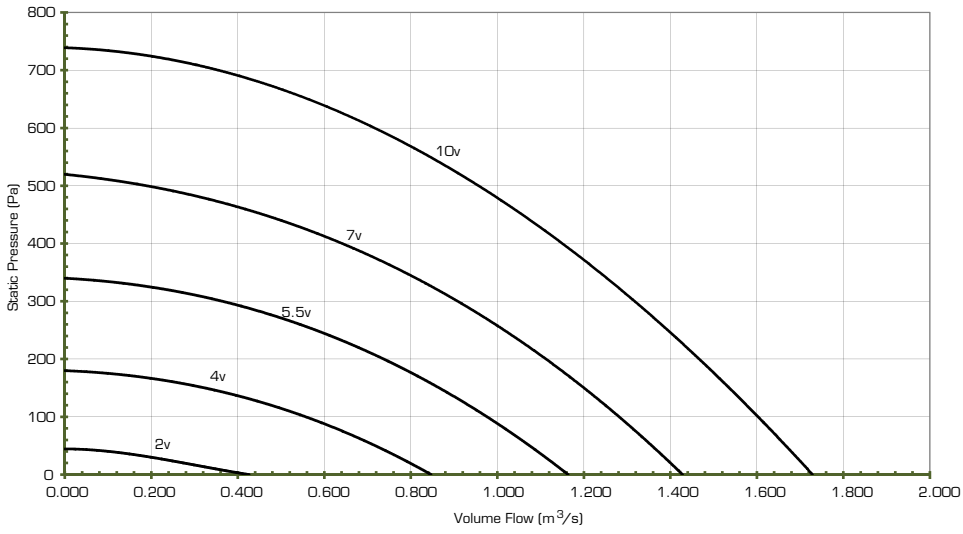


DAISHO EC - 450 (SINGLE PHASE) - EC031120

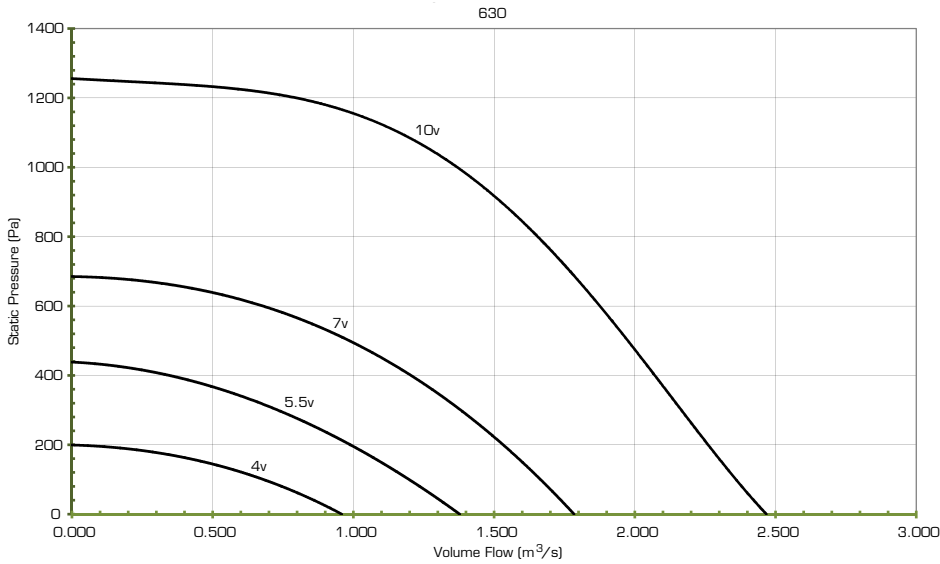


Performance Data

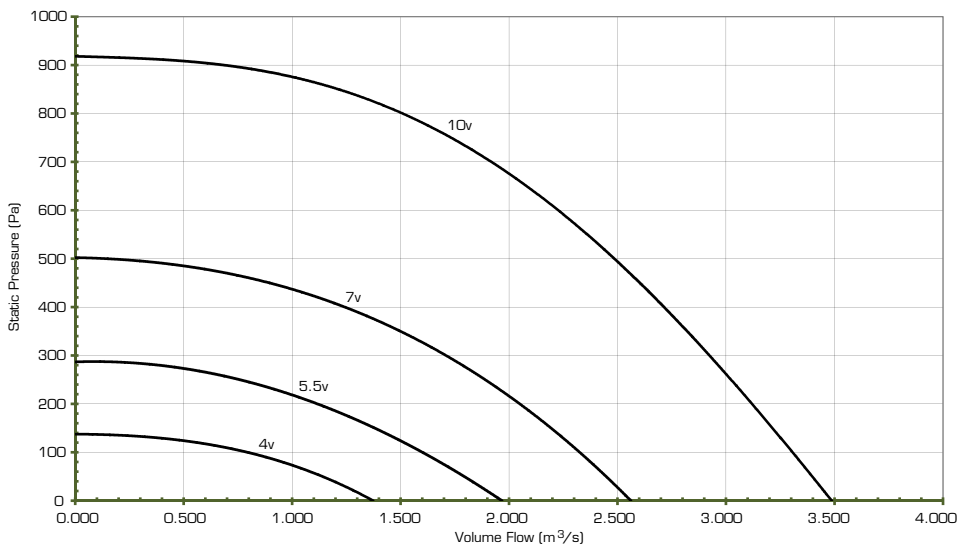
DAISHO EC - 450 (THREE PHASE) - EC043120



DAISHO EC - 630 (THREE PHASE) - EC053120



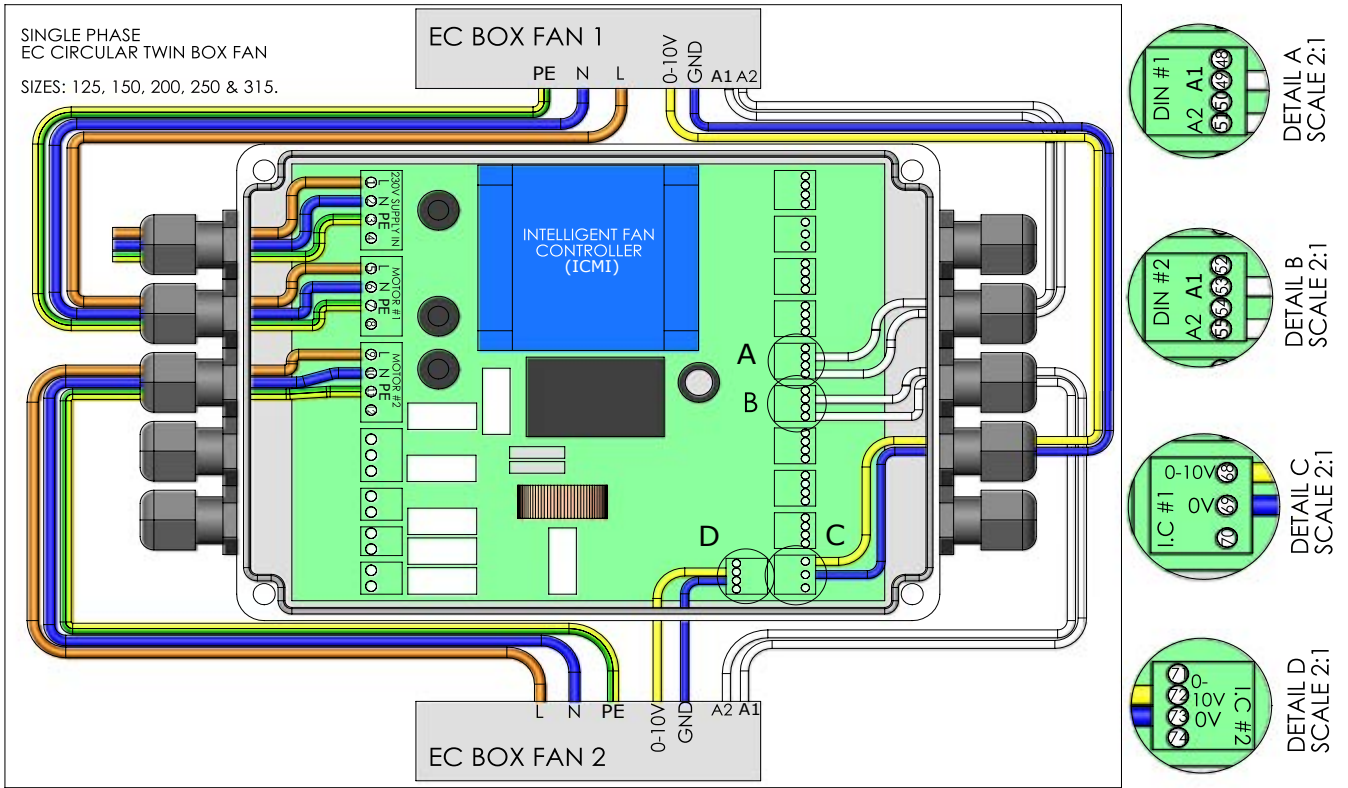
DAISHO EC - 1000 (THREE PHASE) - EC063120



Wiring Diagrams

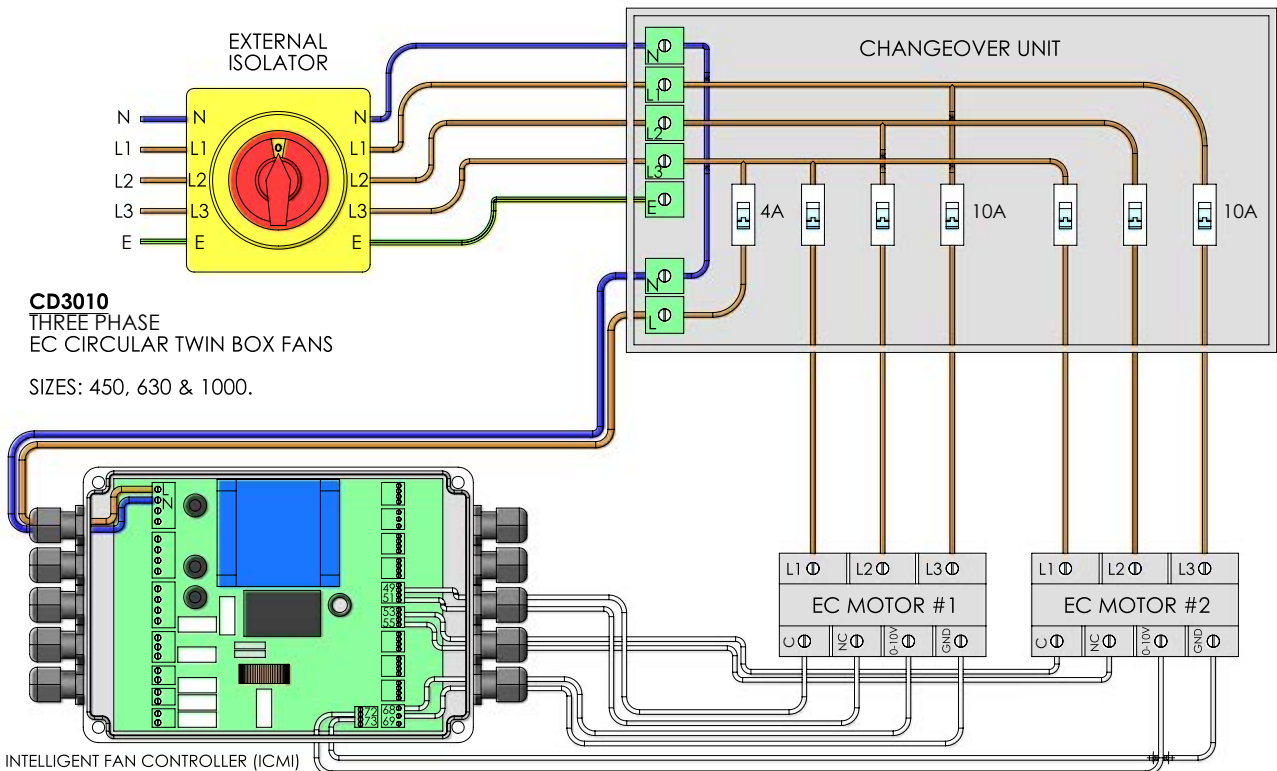
1ph DAISHO EC (Sizes 125, 150, 200, 250 and 315)

CD3009



3ph DAISHO EC (Sizes 450, 630 and 1000)

CD3010

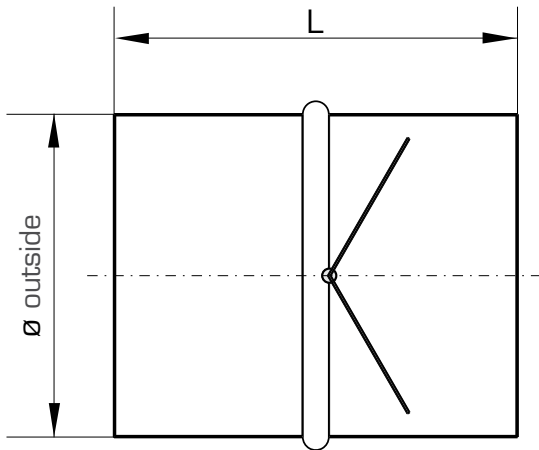


TUBE & CIRCULAR BOX FAN - Accessories

BDS - Back Draught Damper



Automatic back draught damper with flute mechanism for installation into the tube system. Opening in air stream, closing via flute power. Casing made of galvanized sheet steel with aluminium back draught damper.

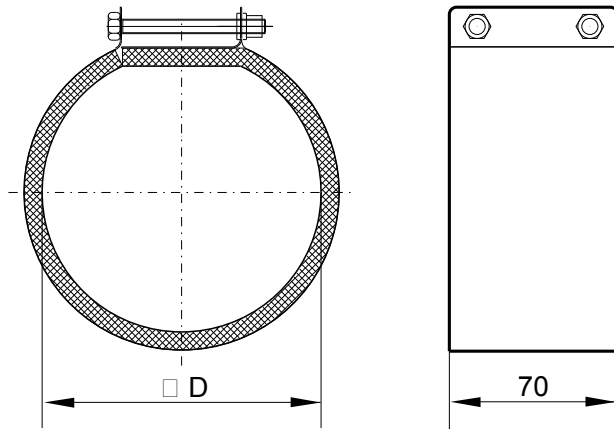


Product Size	Product Number	Ø Outside	L
100	BS100000	100	96
125	BS125000	125	96
150	BS150000	150	96
160	BS160000	160	96
200	BS200000	200	113
250	BS250000	250	113
315	BS315000	315	113
355	BS355000	355	113
400	BS400000	400	113

CFC - Duct Clamps



Clamps made of galvanized sheet steel, for a low-noise connection between fan and plumbing. Inside lined with foam. Suitable for Ex-applications.



Size	Product Number	ØD
100	CP100000	100
125	CP125000	125
150	CP150000	150
160	CP160000	160
200	CP200000	200
250	CP250000	250
280	CP280000	280
315	CP315000	315
355	CP355000	355
400	CP400000	400

All dimensions shown in mm

Distribution Range - Products in bold are available from our UK Distributors on next day delivery, if ordered by 4pm. Please call to confirm availability on 0333 320 2489.

TUBE & CIRCULAR BOX FAN - Accessories

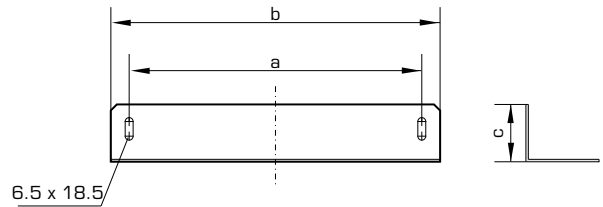
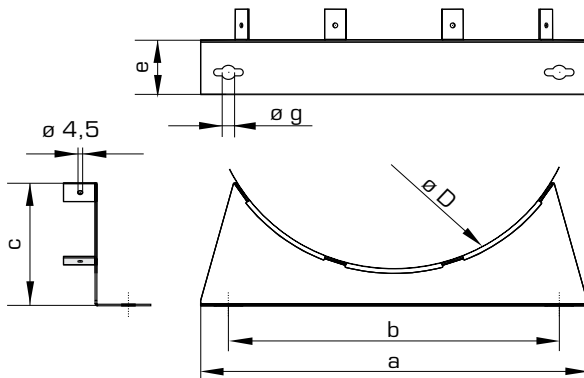
MFE - Mounting Bracket

MFR - Foot



For mounting of a Ropera tube fan. Made of galvanized steel. Drillings aligned to those of the fan.

For mounting of a Ropera tube fan. Made of galvanized steel. Drillings aligned to those of the fan.



Size	Product Number	a	b	c	ØD	e	f	Øg
100-125L	MF100125	260	230	72.5	234	30	53.5	9
150-250L	MF150250	348	298	114	330	50	78.5	9
315/315L	MF315000	398	348	123	394	70	98.5	13
355/355L	MF355000	480	430	145	486	100	148.5	13

Product Code	Product Number	a	b	c
100L-125L	MB100125	240	270	47
150-250L	MB150250	240	270	47
315/315L	MB315000	375	405	47

All dimensions shown in mm

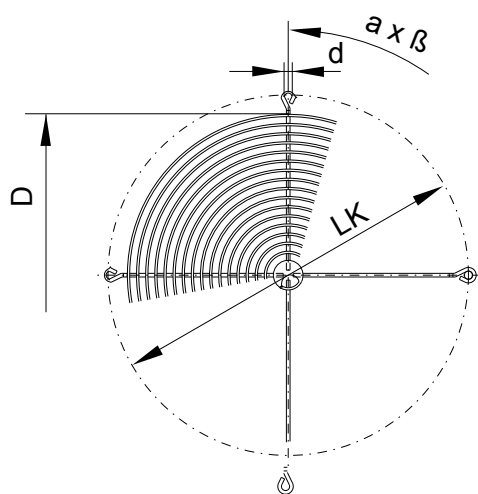
Distribution Range - Products in bold are available from our UK Distributors on next day delivery, if ordered by 4pm.

TUBE & CIRCULAR BOX FAN - Accessories

CIG - Protection Guard



Protection guard for suction side cover made of steel.

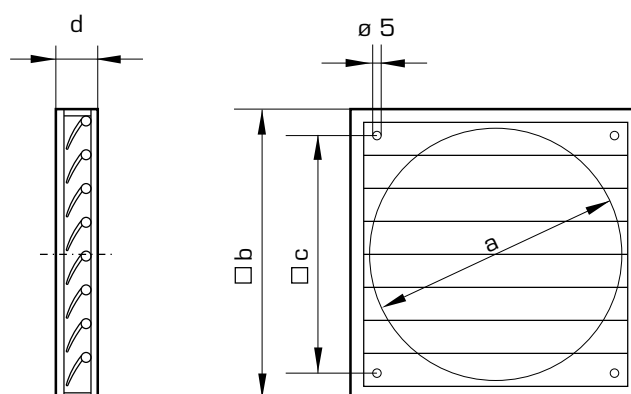


Size	Product Number	ØD
100	IG100000	100
125	IG125000	125
150	IG150000	150
160	IG160000	160
200	IG200000	200
250	IG250000	250
315	IG315000	315
355	IG355000	355
400	IG400000	400

FLS - Plastic Shutter



Automatic, square plastic shutter made of plastic for high-pressure wall installation. Ex version made of conductive plastic. (Ropera and Espada only).



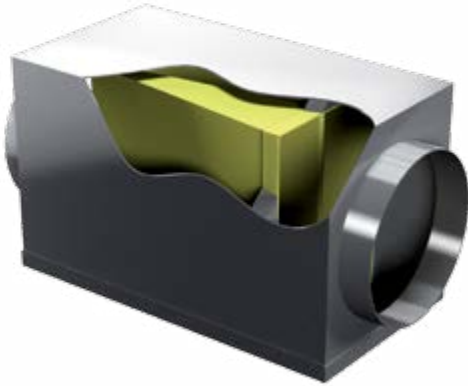
Size	Product Number	Ø Outside	L
100	B1100411	100	96
125	B1100347	125	96
150	B1100348	150	96
160	B1100349	160	96
200	B1100350	200	113
250	B1100351	250	113
315	B1100352	315	113
355	B1100353	355	113

All dimensions shown in mm

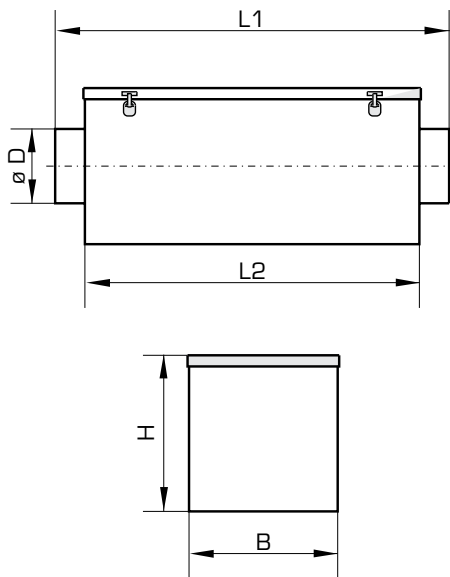
Distribution Range - Products in bold are available from our UK Distributors on next day delivery, if ordered by 4pm. Please call to confirm availability on 0333 320 2489.

TUBE & CIRCULAR BOX FAN - Accessories

CFB - Filter Box incl. Filter



Casing made of galvanized sheet steel with folding cover for easy filter change. Filter of filter class F5 are inclusive. Connections suitable to standard tube diameters.



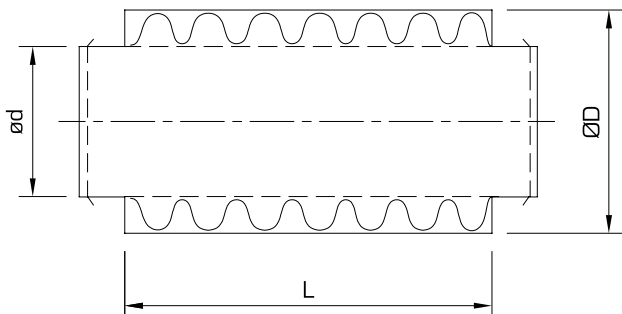
Size	Product Number	ØD	B	H	L1	L2
100	B1100354	100	200	210	530	450
125	B1100355	125	200	210	530	450
150	B1100356	150	245	275	530	450
160	B1100357	160	245	275	530	450
200	B1100358	200	245	275	530	450
250	B1100359	250	350	355	630	550
315	B1100360	315	350	355	630	550
355	B1100361	355	450	455	770	650
400	B1100362	400	450	455	770	650

All dimensions shown in mm

Distribution Range - Products in bold are available from our UK Distributors on next day delivery, if ordered by 4pm.

TUBE & CIRCULAR BOX FAN - Accessories

BDER - Sound Attenuator



Part Code	Part Number	BDER-30		Dimensions (mm)			Weight (Kg)	E130 2,5 kW safety distance	Attenuation (dB) Mid frequency (Hz)							
		size - length		Ød	L	ØD			63	125	250	500	1000	2000	4000	8000
BDER-30-010-030	SL000345	10	-30	100	300	200	1.8	60	4	5	8	17	20	26	30	16
BDER-30-010-060	SL000344		-60	100	600	200	3	60	11	7	12	29	37	45	42	23
BDER-30-010-090	SL000343		-90	100	900	200	4.7	60	11	9	17	39	44	47	45	29
BDER-30-010-120	SL000342		-120	100	1200	200	5.9	80	11	11	21	40	49	48	46	31
BDER-30-012-030	SL000341	12	-30	125	300	225	2.2	80	3	5	6	14	16	21	21	14
BDER-30-012-060	SL000340		-60	125	600	225	3.9	80	4	7	10	25	30	39	36	19
BDER-30-012-090	SL000339		-90	125	900	225	5.5	80	6	8	13	35	44	47	45	24
BDER-30-012-120	SL000338		-120	125	1200	225	7	80	5	9	17	40	47	48	47	31
BDER-30-015-030	SL000337	15	-30	160	300	255	2.5	80	1	2	4	11	13	20	16	12
BDER-30-015-060	SL000336		-60	160	600	255	4.6	80	3	5	7	21	24	35	27	17
BDER-30-015-090	SL000335		-90	160	900	255	6.2	80	6	6	9	30	36	46	33	21
BDER-30-015-120	SL000334		-120	160	1200	255	8.2	100	6	6	12	33	42	45	40	25
BDER-30-016-030	SL000333	16	-30	160	300	260	2.5	80	1	2	4	11	13	20	16	12
BDER-30-016-060	SL000332		-60	160	600	260	4.6	80	3	5	7	21	24	35	27	17
BDER-30-016-090	SL000331		-90	160	900	260	6.2	80	6	6	9	30	36	46	33	21
BDER-30-016-120	SL000330		-120	160	1200	260	8.2	100	6	6	12	33	42	45	40	25
BDER-30-020-030	SL000329	20	-30	200	300	300		100								
BDER-30-020-060	SL000328		-60	200	600	300	5.2	100	3	3	6	19	22	30	20	16
BDER-30-020-090	SL000327		-90	200	900	300	7.7	100	7	5	9	26	29	42	27	20
BDER-30-020-120	SL000326		-120	200	1200	300	10	100	7	6	11	34	37	50	33	23
BDER-30-025-030	SL000325	25	-30	250	300	355		100								
BDER-30-025-060	SL000324		-60	250	600	355	6.5	100	7	2	4	15	18	25	17	16
BDER-30-025-090	SL000323		-90	250	900	355	9.1	100	6	3	6	21	26	34	21	19
BDER-30-025-120	SL000322		-120	250	1200	355	12	200	6	4	8	28	34	41	25	22
BDER-30-031-030	SL000506	31	-30	315	300	415		200								
BDER-30-031-060	SL000507		-60	315	600	415	7.9	200	1	2	4	12	16	19	15	14
BDER-30-031-090	SL000508		-90	315	900	415	11	200	3	3	5	18	24	25	17	16
BDER-30-031-120	SL000509		-120	315	1200	415	17.3	220	3	3	7	20	26	30	20	17
BDER-30-035-060	SL400006	355	-60	355	600	455		220	Please enquire for further information							
BDER-30-035-090	SL400002		-90	355	900	455	enq	220								
BDER-30-035-120	SL400005		-90	355	1200	455		220								
BDER-30-040-090	SL000510	40	-90	400	900	500	18	220	2	2	6	20	22	21	18	15
BDER-30-040-120	SL000511		-120	400	1200	500	22.8	220	3	2	7	25	29	25	21	17
							Tolerance	±	6	3	2	2	2	2	2	3

All dimensions shown in mm

Distribution Range - Products in bold are available from our UK Distributors on next day delivery, if ordered by 4pm. Please call to confirm availability on 0333 320 2489.

POWERBOX FANS - Estoc Range



Features

- Sizes from 355 to 710 mm diameter
- Air flow up to 5.2 m³/s
- Static pressures up to 1150 Pa
- Speed controllable external rotor motors
- Multiple outlet orientations
- All panels interchangable to offer flexible outlet position

Electrical Supply

- 220 - 240V / 50Hz / 1 Ph
- 380 - 420V / 50Hz / 3 (450, 630 & 1000 size only)

Temperature Range

- Maximum temperature from +40°C to +70°C (depending on the model)

Sizes

355, 400, 450, 500, 560, 630 and 710.

Estoc 50-355-3

Features and Construction

The Estoc casing is made from galvanized sheet steel with PentaPost construction and acoustic insulation made from mineral wool with a thickness of 20 mm.

- ESTOC - Product Name
- 50 = Box Size ie, 50 = 500mm; 67 = 670mm;
80 = 800mm; 102 = 1020mm
- 355 = Spigot Diameter size
- 3 = 3 Phase or 1 Phase

Impeller

The Estoc has a backward curved centrifugal impellers made of plastic with galvanised steel support plates for those up to 450 mm. Fans with a diameter of 500 mm and larger have high efficiency backward curved centrifugal impellers made of aluminium.

Accessories (See pages 160-165)

The range of accessories include dampers, flexible connectors, service doors, outlet covers, guards, side covering and insulating connections . A quick reference guide is shown below.

Motor

The impellers together with the external rotor motors are dynamically balanced to quality standard G2,5 DIN ISO 19410

Speed Controllers

Speed is 100% infinitely variable using auto transformers or electronic control (please see pages 235-287).

NB; Performance reduction in straight through configuration. Please refer to performance curve



Product Code

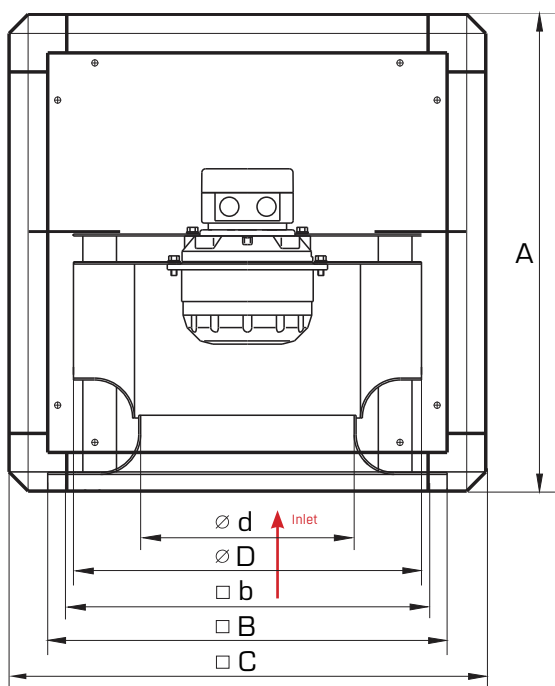
Electrical Details and Sound Levels



Product Code	Product Number	Speed rpm	Motor Frame	Electrical Supply	Electrical Current			Wiring Diagrams	Maximum Operating Temp °C	Breakout *Sound Level db(A) (3m)	**Speed Controllers
					Motor (kW)	Full Load Current (A)	Starting Current (A)				Transformer
ESTOC 50-355-1	UB503514	1325	Integral	220-240 V-50 Hz-1 Ph	0.29	1.25	2.5	CD3005	55	33	TEID 1.5
ESTOC 67-400-1	UB674414	1360	Integral	220-240 V-50 Hz-1 Ph	0.53	2.4	4.9	CD3005	45	45	TEID 2.2
ESTOC 67-450-1	UB674514	1270	Integral	220-240 V-50 Hz-1 Ph	0.76	3.5	7.35	CD3005	45	41	TEID 3.5
ESTOC 67-500-1	UB675514	1310	Integral	220-240 V-50 Hz-1 Ph	1.57	7.3	16.79	CD3005	40	45	TEID 7.5
ESTOC 50-355-3	BI101216	1355	Integral	380-420V-50 Hz-3 Ph	0.3	0.66	2.18	CD3003	50	34	IDDXF54 2.2
ESTOC 67-400-3	BI101217	1335	Integral	380-420V-50 Hz-3 Ph	0.48	0.9	2.88	CD3003	50	37	IDDXF54 2.2
ESTOC 67-450-3	BI101218	1240	Integral	380-420V-50 Hz-3 Ph	0.67	1.33	3.46	CD3003	50	37	IDDXF54 2.2
ESTOC 67-500-3	BI101219	1380	Integral	380-420V-50 Hz-3 Ph	1.8	3.7	17.76	CD3003	40	44	IDDXF54 3.7
ESTOC 80-560-3	BI101220	1350	Integral	380-420V-50 Hz-3 Ph	2.5	4.8	20.16	CD3003	40	47	IDDXF54 5.3
ESTOC 80-630-3	BI101221	1380	Integral	380-420V-50 Hz-3 Ph	3.65	6.6	27.72	CD3003	45	55	IDDXF54 7.2
ESTOC 102-710-3	BI101222	890	Integral	380-420V-50 Hz-3 Ph	2.45	4.7	18.8	CD3003	45	49	IDDXF54 5.3

*Sound power levels are average dBA at 3 metres distance over sphere, under free field conditions and are presented for comparative purposes only. Values taken at the mid point on the wave at the highest point. ** For speed controllers, please see pages 235-287 For ErP efficiency ratings and grades please refer to our Fan Selector for more information.

Drawing and Dimensions



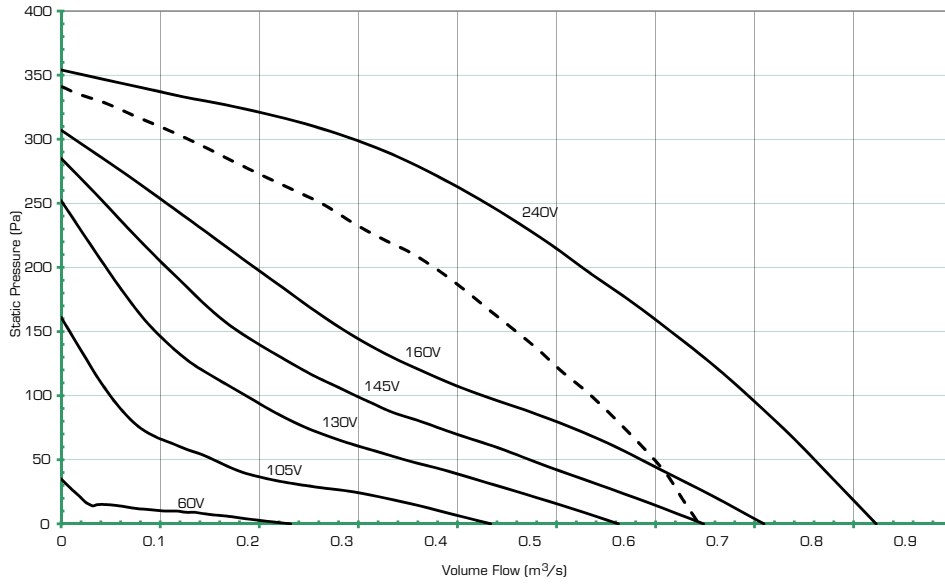
Product Code	A	B	b	C	∅ D	∅ d	Weight max (kg)
ESTOC 50-355	500	450	420	500	365	224	33
ESTOC 67-400	670	620	590	670	404	253	49
ESTOC 67-450	670	620	590	670	454	286	58
ESTOC 67-500	670	620	590	670	504	321	66
ESTOC 80-560	800	720	690	800	570	361	95
ESTOC 80-630	800	720	690	800	634	407	105
ESTOC 102-710	1020	940	910	1020	718	438	157

All dimensions shown in mm

Distribution Range - Products in bold are available from our UK Distributors on next day delivery, if ordered by 4pm. Please call to confirm availability on 0333 320 2489.

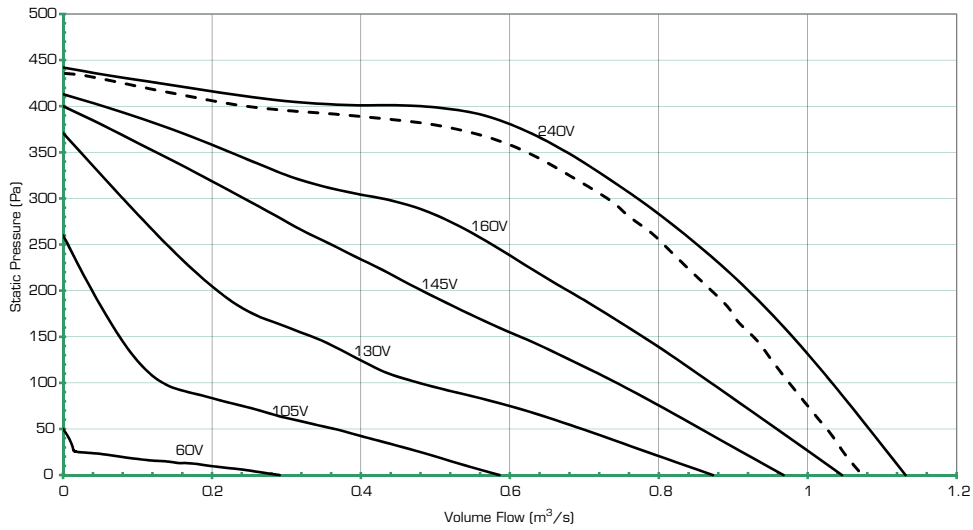
Performance Data

Estoc 50-355-1 - UB503514

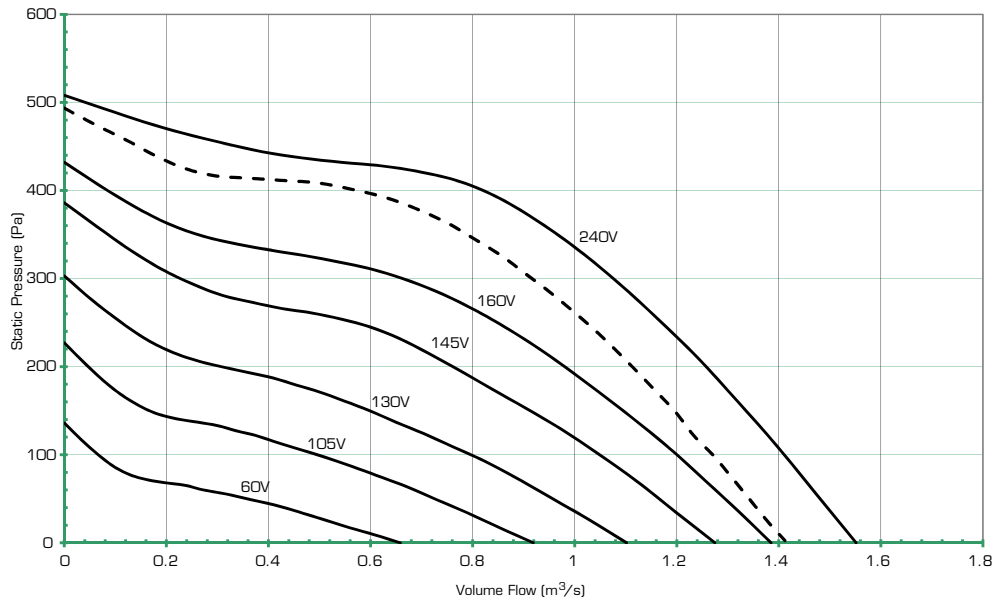


Please note : -The dotted line represents the unit configured for straight through (axial Airflow) at 'full speed'.

ESTOC 67-400-1 - UB674414

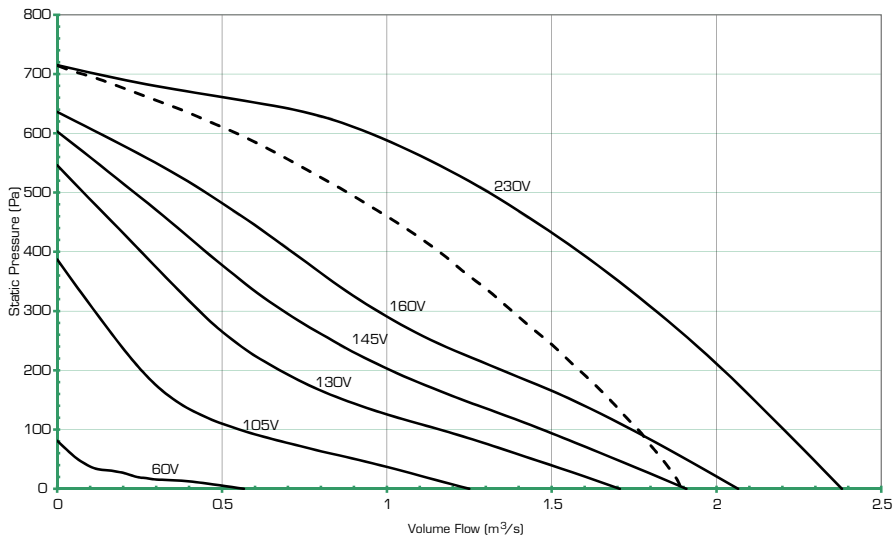


ESTOC 67-450-1 UB674514



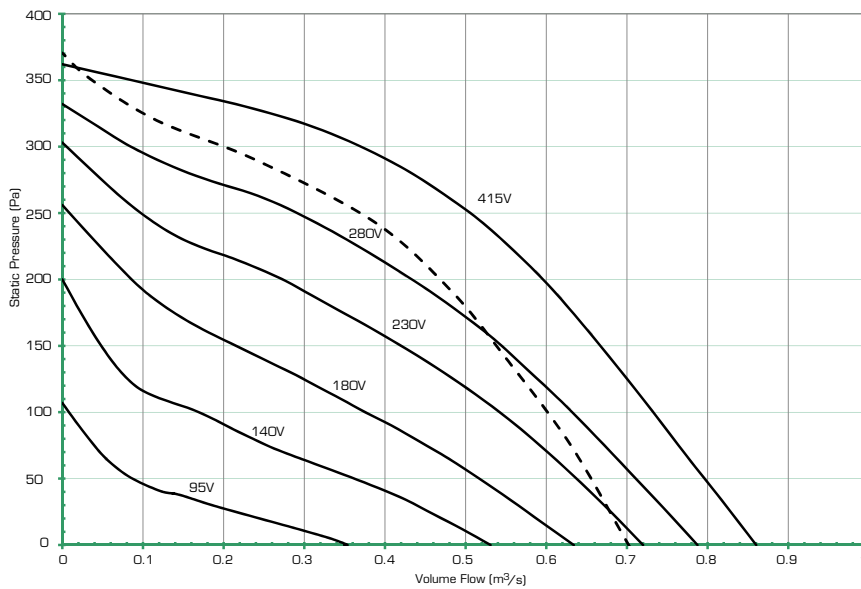
Performance Data

ESTOC 67-500-1 - UB675514

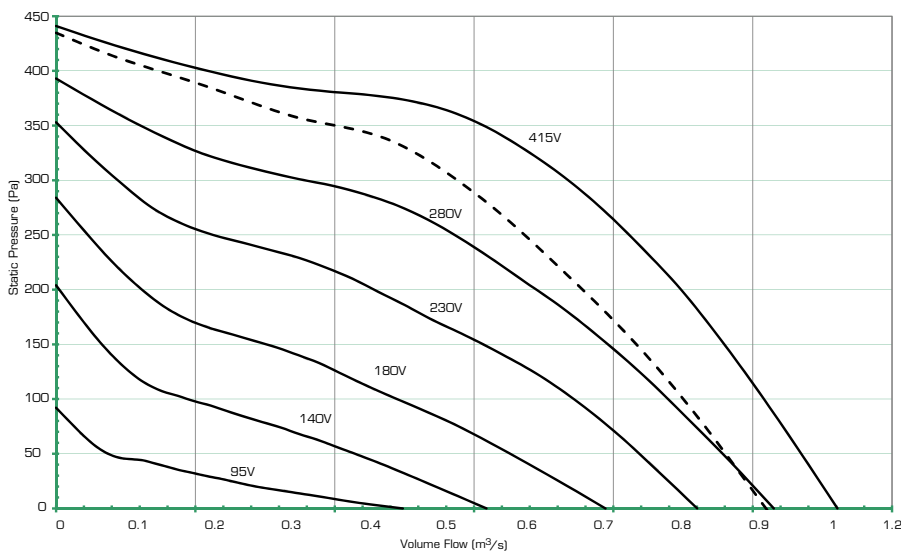


Please note : -The dotted line represents the unit configured for straight through (axial Airflow) at 'full speed'.

ESTOC 50-355-3 - BI101216

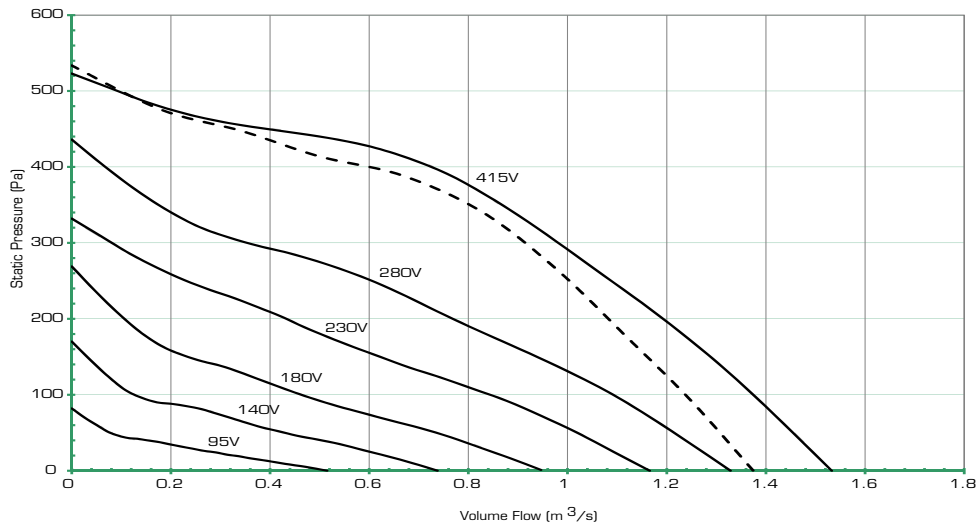


ESTOC 67-400-3 - BI101217



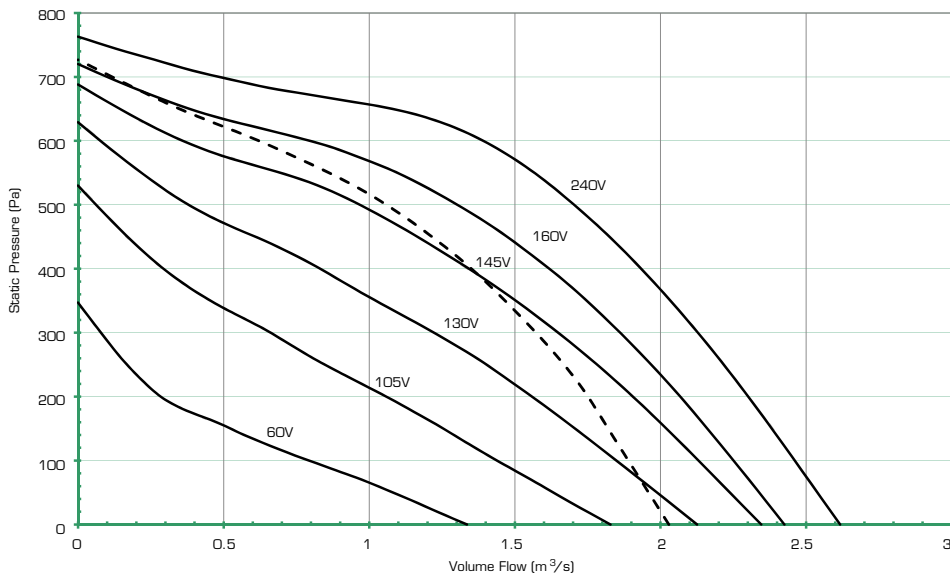
Performance Data

ESTOC 67-450-3 - BI101218

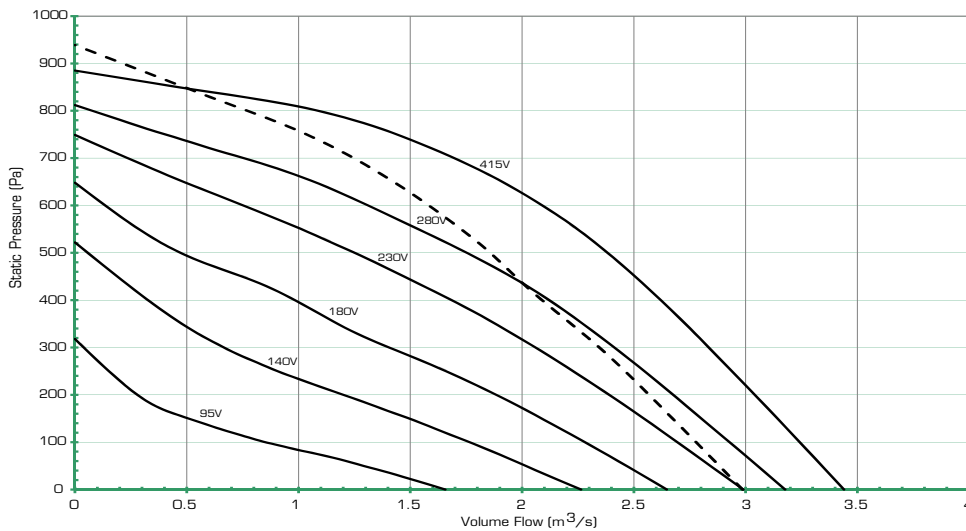


Please note : -The dotted line represents the unit configured for straight through (axial Airflow) at 'full speed'.

ESTOC 67-500-3 - BI101219

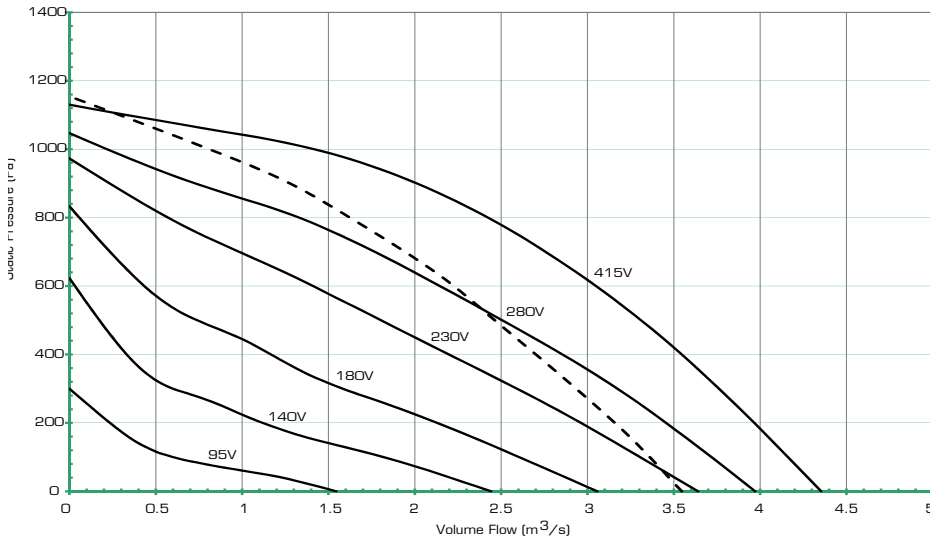


ESTOC 80-560-3 - BI101220



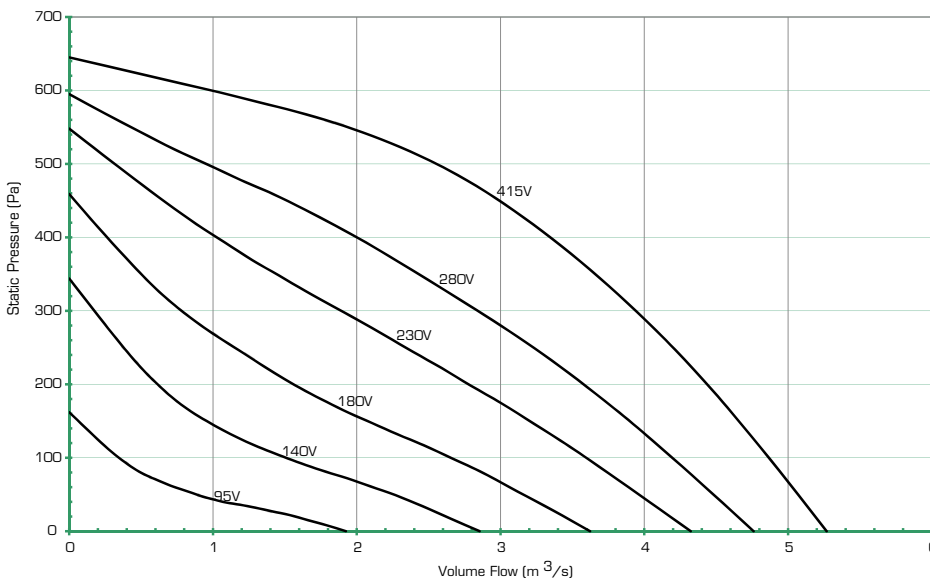
Performance Data

ESTOC 80-630-3 - BI101221



Please note : -The dotted line represents the unit configured for straight through (axial Airflow) at 'full speed'.

ESTOC 102-710-3 - BI101222

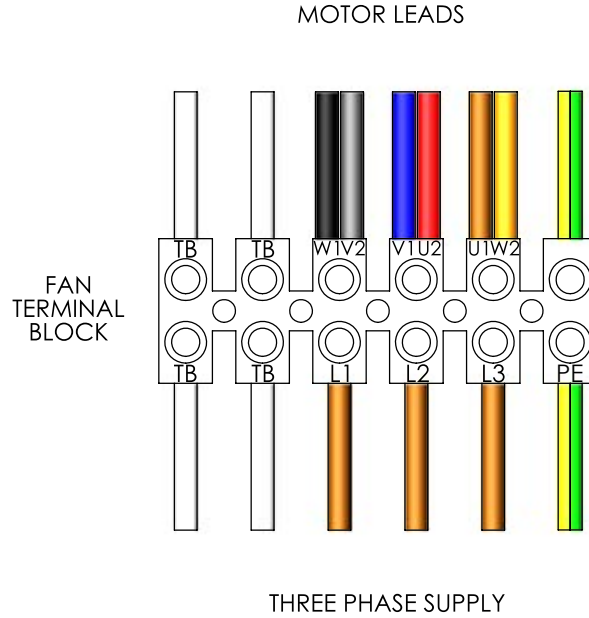


Please note: Performance curve is at rated voltage, shown at in-line axial air flow within Estoc Unit.

Wiring Diagrams

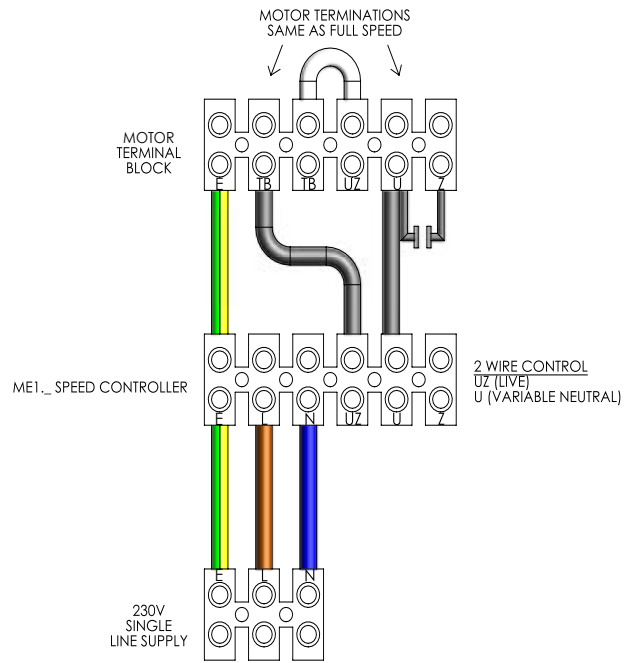
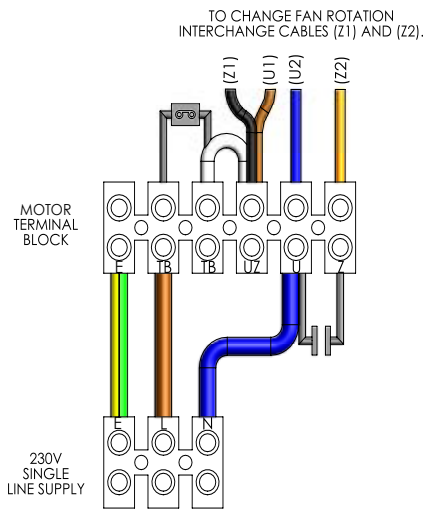
CD3003

THREE PHASE POWERBOX FANS - ESTOC



CD3005

SINGLE PHASE POWERBOX FANS (ESTOC) WITH INTERNAL CAPACITOR AND OVERHEAT PROTECTION



POWERBOX GF FANS - Estoc Targe



Features

- Sizes from 355 to 630 mm diameter
- Air flow up to 5.8 m³/s
- Static pressures up to 1450 Pa
- Adjustable controllable external rotor motors
- Multiple outlet orientations Motor located out of air stream

Electrical Supply

- 220 - 240V / 50Hz / 1 Ph
- 380 - 420V / 50Hz / 3 (450, 630 & 1000 size only)

Temperature Range

- Maximum temperature up to 100°C

Sizes

355, 400, 450, 500, 560 and 630.

Features and Construction

The Estoc Targe casing is galvanized and made from sheet steel with PentaPost Construction and acoustic insulation made from fibre glass with a thickness of 20 mm. Can be horizontal or vertical mounted with weather proof hood and has removable side panels.

Impeller

The Estoc Targe are equipped with high efficiency backward curved centrifugal impellers made of aluminium.

Motor

Motor is situated out of air stream. The impellers together with the external rotor motors are dynamically balanced to quality standard G2,5 DIN ISO 19410

Speed Controllers

Speed is variable using auto transformers and includes a integrated emergency switch (see pages 235-287).

Temperature

Only for use at 100°C or above, which makes it exempt from ErP legislation.

Product Code

Estoc Targe 50-355-1

- ESTOC Targe = Product Name
- 50 = Box Size ie, 50 = 500mm; 67 = 670mm; 80 = 800mm; 10 = 1020mm
- 355 = Spigot Diameter size
- 1 = 1 Phase or 3 = 3 Phase or

Accessories (See pages 160-165)

The range of accessories include dampers, flexible connectors, service doors, outlet covers, guards, side covering and insulating connections. A quick reference guide is shown below.



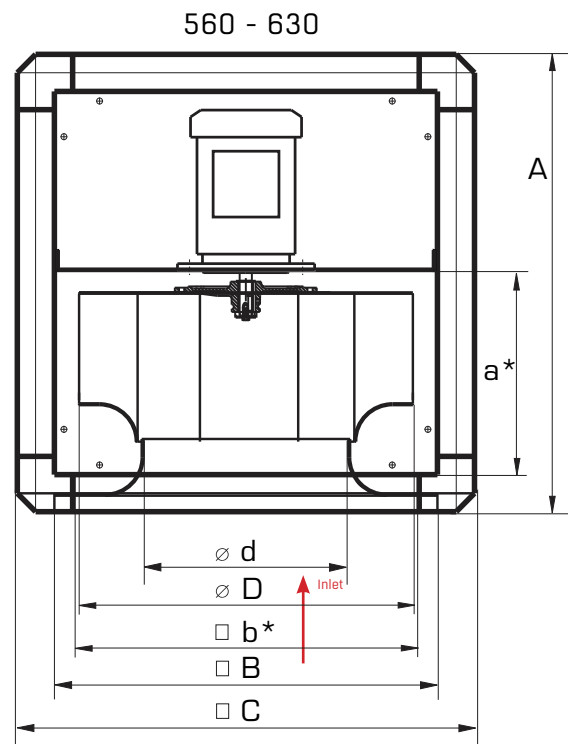
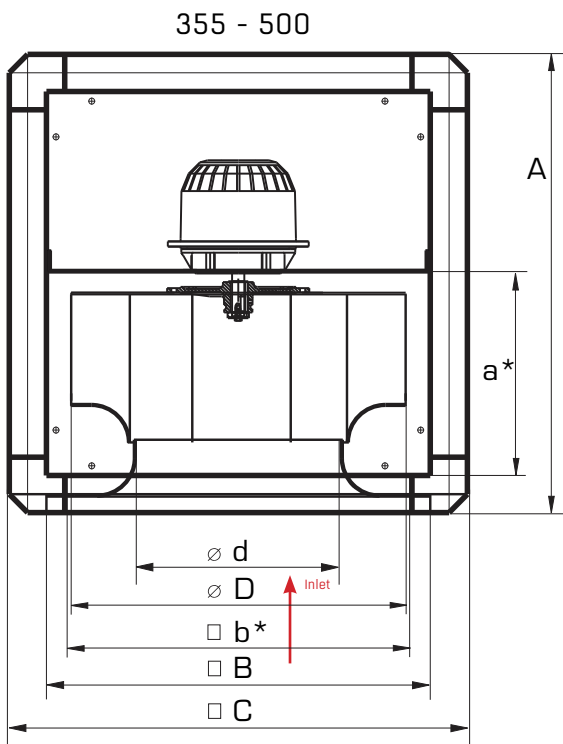
Electrical Details and Sound Levels



Product Code	Product Number	Speed rpm	Motor Frame	Electrical Supply	Electrical Current			Wiring Diagrams	Maximum Operating Temp °C	Breakout *Sound Level db(A) (3m)	**Speed Controllers Transformer
					Motor (kW)	Full Load Current (A)	Starting Current (A)				
Estoc Targe 50-355-1	GF503551	1360	Integral	220-240 V/50 Hz/1 Ph	0.31	1.4	3.5	CD3005	110	35	EEID 2
Estoc Targe 67-400-1	GF674001	1270	Integral	220-240 V/50 Hz/1 Ph	0.53	2.2	4.84	CD3005	90	39	EEID 4
Estoc Targe 67-450-1	GF674501	1380	Integral	220-240 V/50 Hz/1 Ph	1	4.6	11.96	CD3005	80	44	MEL6
Estoc Targe 50-355-3	GF503553	1360	Integral	380-420 V/50 Hz/3 Ph	0.31	0.72	2.59	CD3003	110	35	TDID 2.5
Estoc Targe 67-400-3	GF674003	1240	Integral	380-420 V/50 Hz/3 Ph	0.46	0.95	2.75	CD3003	100	38	TDID 2.5
Estoc Targe 67-450-3	GF674503	1380	Integral	380-420 V/50 Hz/3 Ph	0.94	1.75	8.75	CD3003	100	44	TDID 2.5
Estoc Targe 80-500-3	GF805003	1380	Integral	380-420 V/50 Hz/3 Ph	1.5	3	14.7	CD3003	80	47	TDID 4
Estoc Targe 80-560-3	GF805603	1410	Integral	380-420 V/50 Hz/3 Ph	2.5	7	24.5	CD3003	100	49	IDDXF 54 7.2
Estoc Targe 80-630-3	GF806303	1445	Integral	380-420 V/50 Hz/3 Ph	4.4	8	46.4	CD3003	90	53	IDDXF 54 7.2

*Sound power levels are average dBA at 3 metres distance over sphere, under free field conditions and are presented for comparative purposes only. Values taken at the mid point on the wave at the highest point. **For speed controllers, please see pages 235-287. For ErP efficiency ratings and grades please refer to our Fan Selector for more information.

Drawings and Dimensions



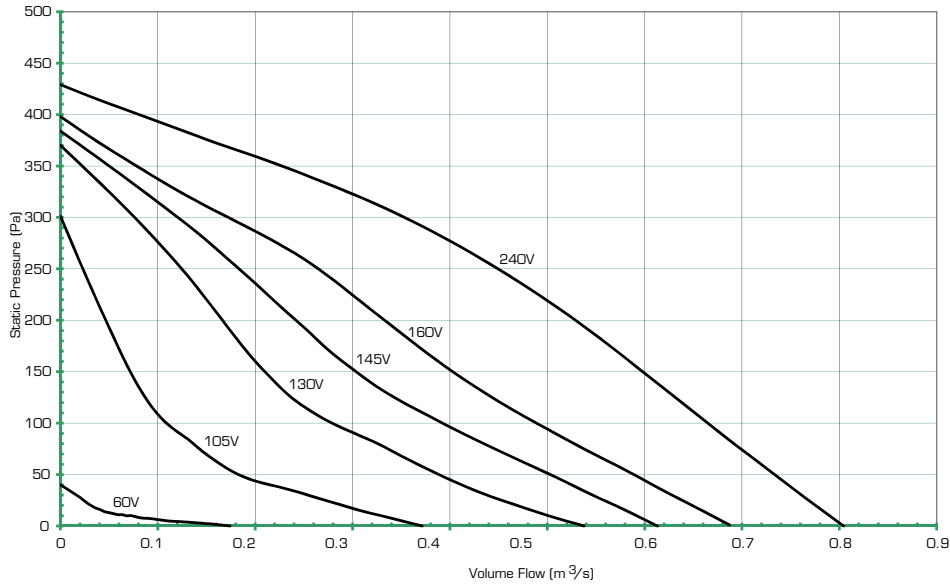
Product Code	A	a*	B	b*	C	∅ D	∅ d	Weight Max (kg)
ESTOC TARGE 50-355	420	190	410	380	500	365	228	36
ESTOC TARGE 67-400	500	230	580	550	670	404	257	55
ESTOC TARGE 67-450	500	230	580	550	670	545	289	62
ESTOC TARGE 80-500	590	310	710	680	800	504	325	95
ESTOC TARGE 80-560	740	310	710	680	800	570	362	100
ESTOC TARGE 80-630	800	310	710	680	800	640	410	105
ESTOC TARGE 102-630	880	370	930	900	1020	640	410	165

All dimensions shown in mm

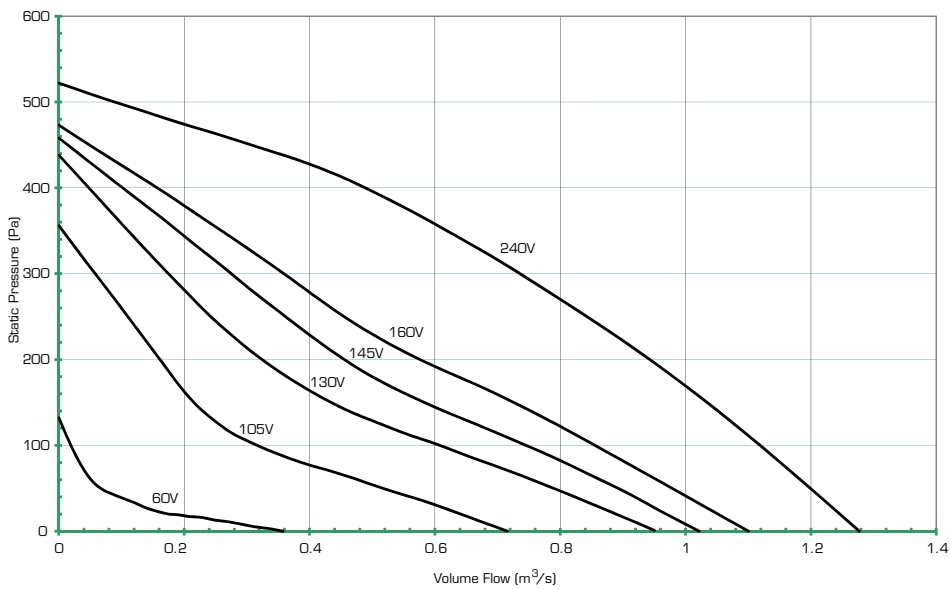
Distribution Range - Products in bold are available from our UK Distributors on next day delivery, if ordered by 4pm. Please call to confirm availability on 0333 320 2489.

Performance Data

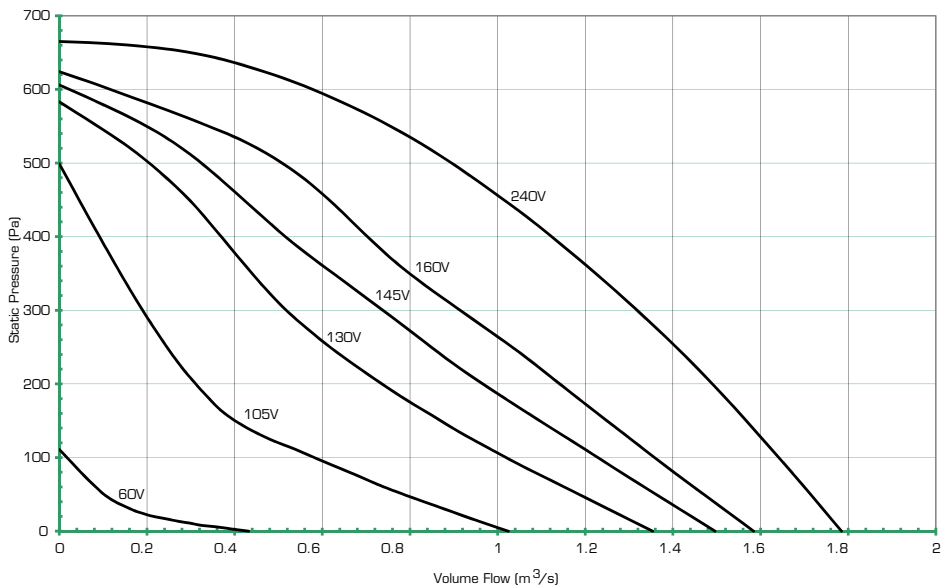
ESTOC TARGE 50-355-1 - GF503551



ESTOC TARGE 67-400-1 - GF674001

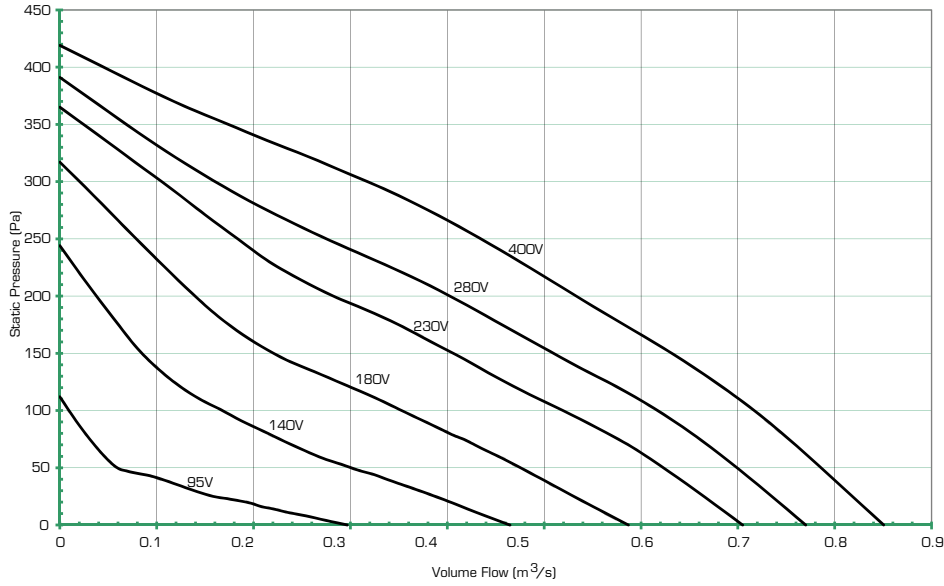


ESTOC TARGE 67-450-1 - GF674501

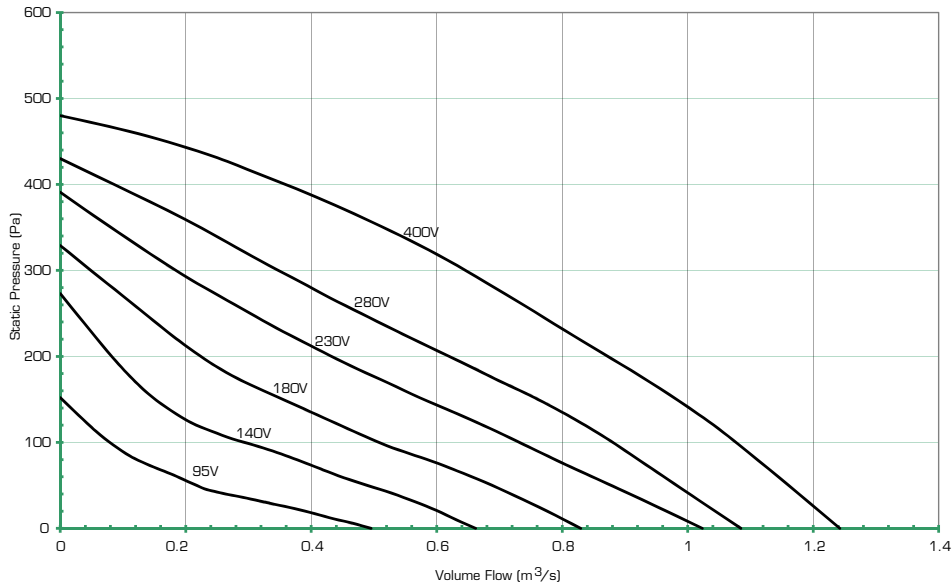


Performance Data

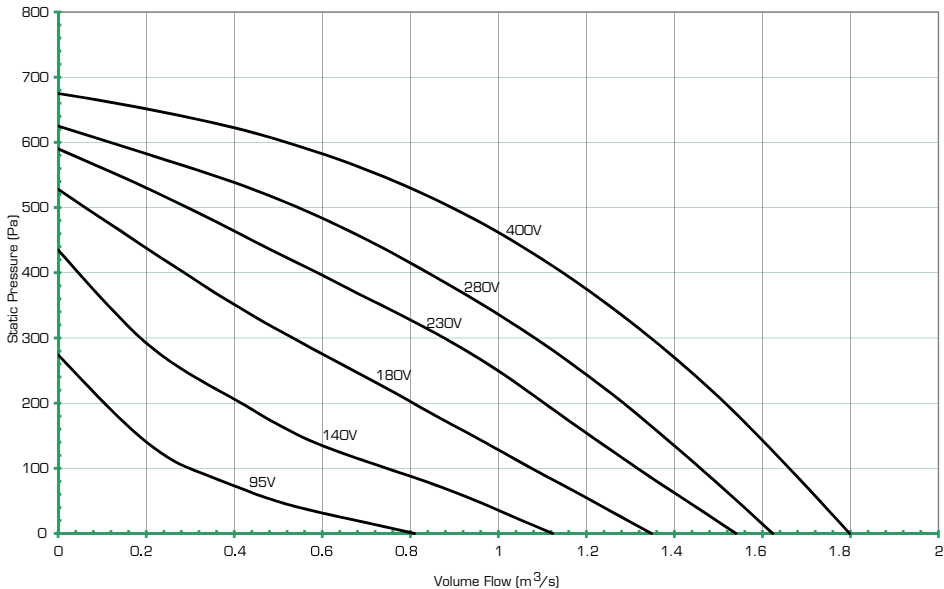
ESTOC TARGE 50-355-3 - GF503553



ESTOC TARGE 67-400-3 - GF674003

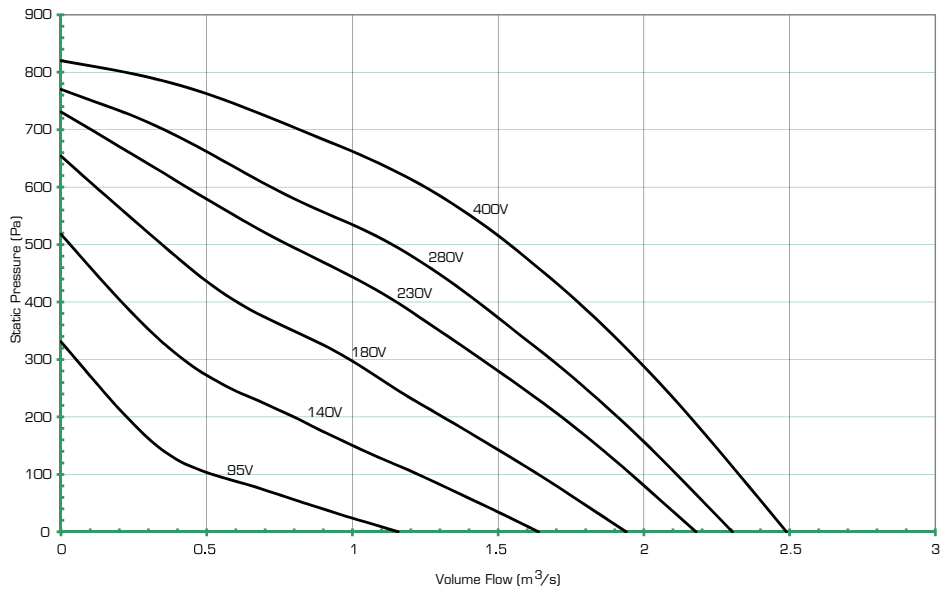


ESTOC TARGE 67-450-3 - GF674503

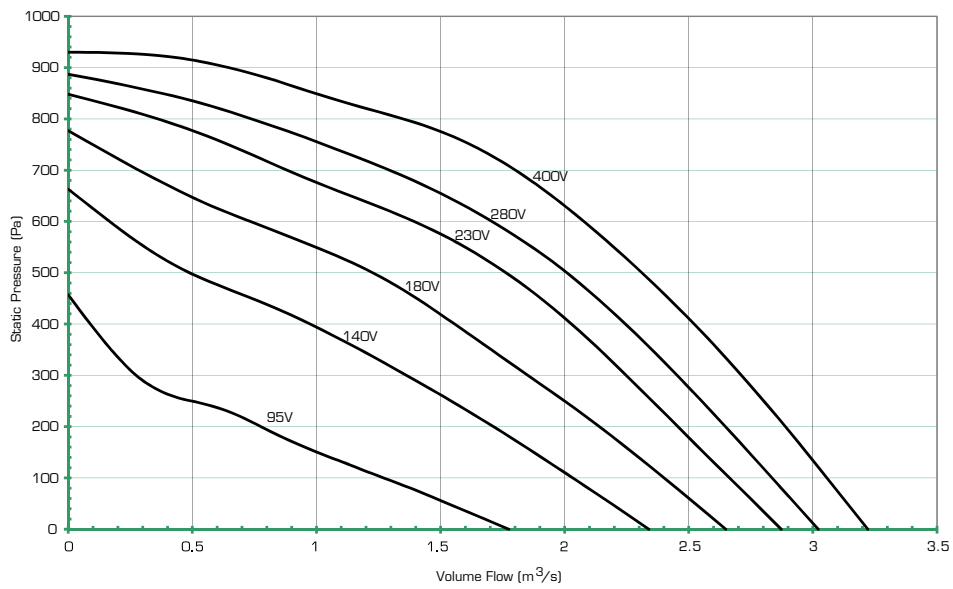


Performance Data

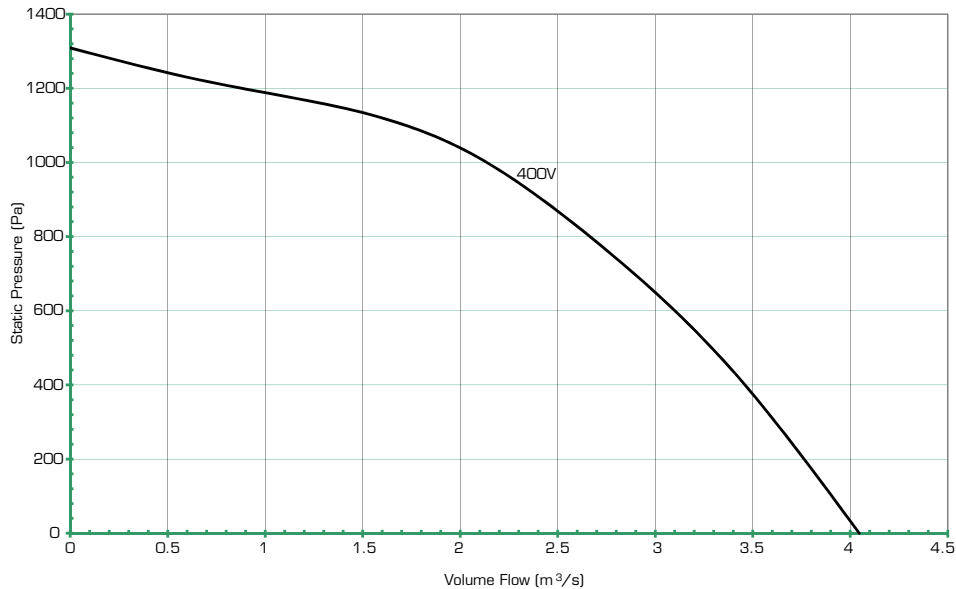
ESTOC TARGE 80-500-3 - GF805003



ESTOC TARGE 80-560-3 - GF805603

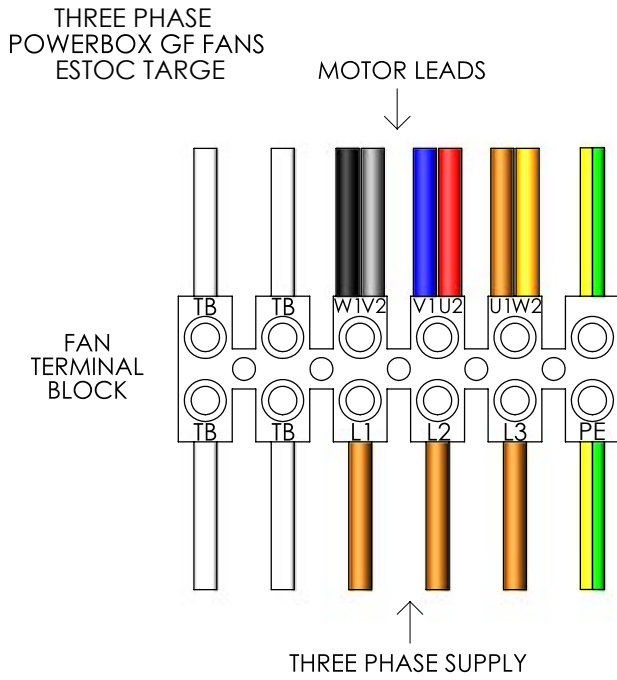


ESTOC TARGE 80-630-3 - GF806303



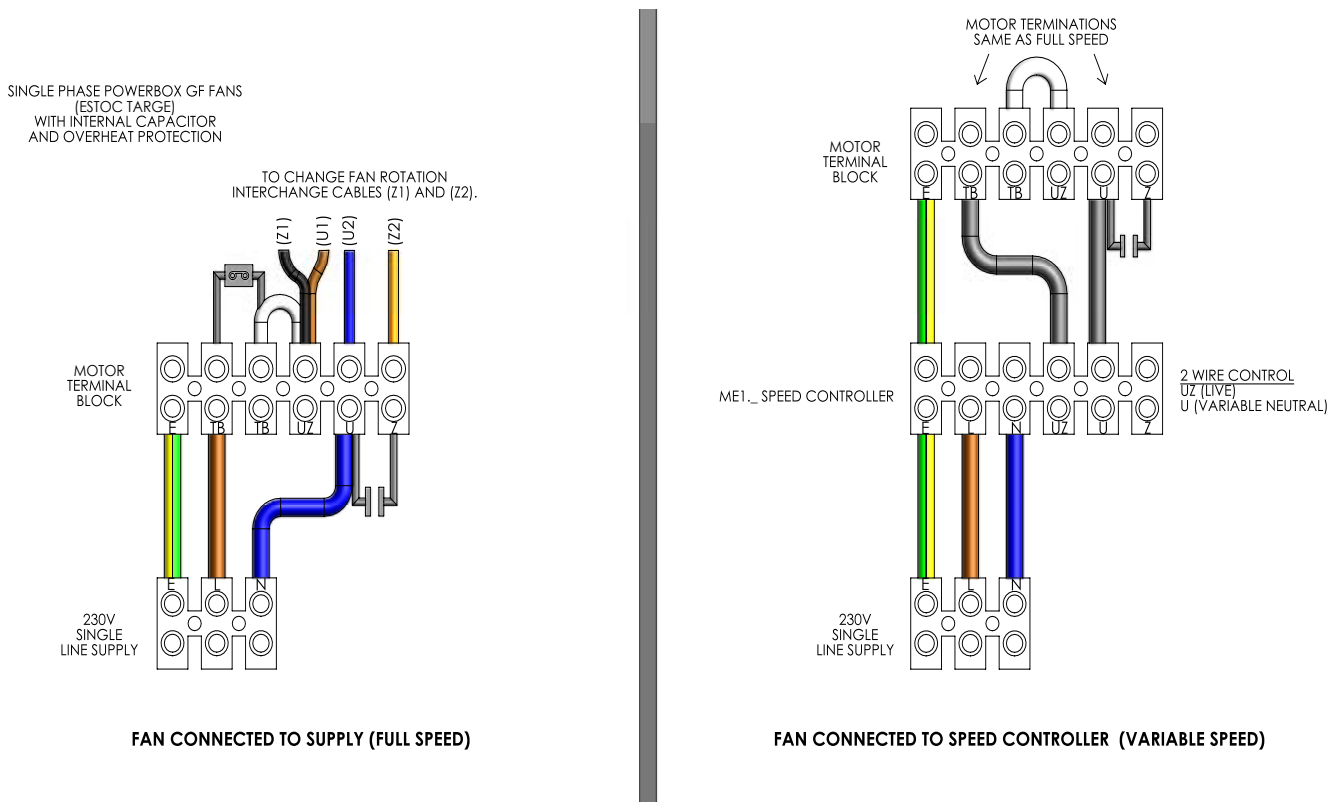
Wiring Diagrams

CD3003



UNITS: GF805306 & GF806303 WILL USE POST STYLE TERMINAL BLOCKS

CD3005



POWERBOX EC FANS - Estoc EC



Features

- Sizes from 355 to 630 mm diameter
- Air flow up to 4.3 m³/s
- Static pressures up to 840 Pa
- Controllable EC motors
- Multiple outlet orientations

Electrical Supply

- 220 - 240V / 50Hz / 1 Ph

Temperature Range

- Maximum temperature up to +60°C (depending on the model)

Sizes

355, 400, 450, 500, 560 and 630.

Features and Construction

The Estoc EC casing is galvanized and made from sheet steel with PentaPost Construction and acoustic insulation made from fibre glass with a thickness of 20 mm.

Impeller

The Estoc EC has a backward curved centrifugal impellers made of plastic with galvanised steel support plates for those up to 450 mm. Fans with a diameter of 500 mm and larger have high efficiency backward curved centrifugal impellers made of aluminium.

Motor

The impellers together with the EC (electronically controlled) external rotor motors are dynamically balanced to quality standard G2,5 DIN ISO 19410

Speed Controllers

Speed is variable using auto transformers and includes a integrated emergency switch which is controllable using a 0-10v signal (see pages 235-287).

Product Code

Estoc EC 50-355

- ESTOC = Product Name
- EC = EC Motor
- 50 = Box Size ie, 50 = 500mm; 67 = 670mm; 80 = 800mm; 102 = 1020mm
- 355 = Spigot diameter size

Accessories (See pages 160-165)

The range of accessories include dampers, flexible connectors, service doors, outlet covers, guards, side covering and insulating connections. A quick reference guide is shown below.



SFC



SSC



SSD



SAD



SOC



SWR



CIG



iFan



0-10v Potentiometer

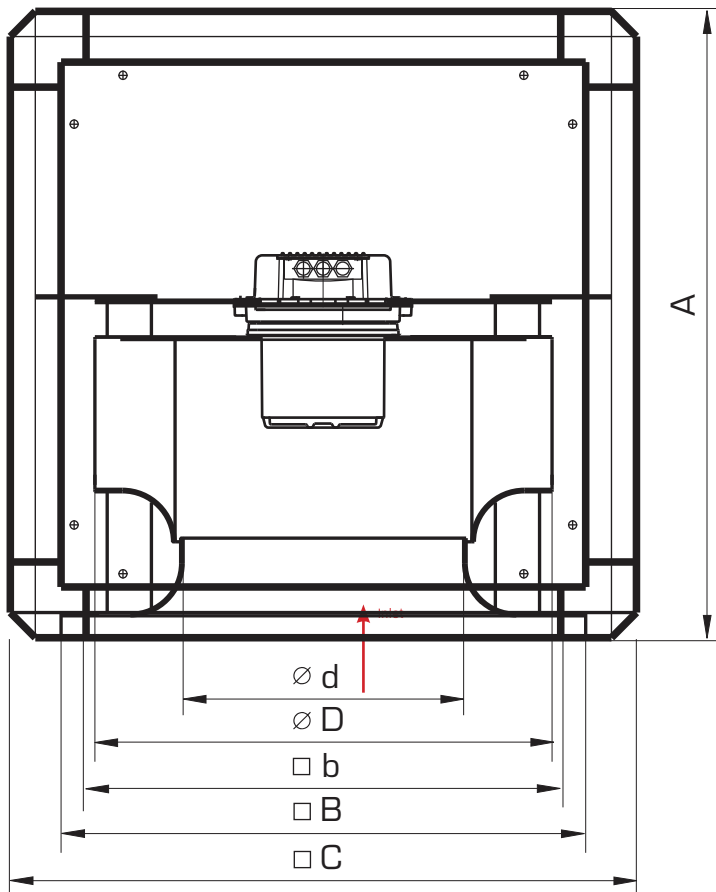
Electrical Details and Sound Levels



Product Code	Product Number	Speed rpm	Motor Frame	Electrical Supply	Electrical Current			Wiring Diagrams	Maximum Operating Temp °C	Breakout *Sound Level db(A) (3m)	**Speed Controllers Potentiometer
					Motor (kW)	Full Load Current (A)	Starting Current (A)				
ESTOC EC 50-355	UB503559	1500	Integral	220-240 V/50 Hz/1 Ph	0.35	2.1	2.1	CD3011	50	37	0-10 V Pot
ESTOC EC 67-400	UB674059	1500	Integral	220-240 V/50 Hz/1 Ph	0.62	3.7	3.7	CD3012	50	43	0-10 V Pot
ESTOC EC 67-450	UB674559	1450	Integral	220-240 V/50 Hz/1 Ph	1	5.7	5.7	CD3012	50	47	0-10 V Pot
ESTOC EC 80-500	UB805069	1500	Integral	380-420 V/50 Hz/3 Ph	1.9	3	3	CD3012	50	50	0-10 V Pot
ESTOC EC 80-560	UB805669	1400	Integral	380-420 V/50 Hz/3 Ph	2.8	4.3	4.3	CD3012	50	50	0-10 V Pot
ESTOC EC 102-630	UB106369	1100	Integral	380-420 V/50 Hz/3 Ph	2.3	3.7	3.7	CD3012	50	43	0-10 V Pot

*Sound power levels are average dBA at 3 metres distance over sphere, under free field conditions and are presented for comparative purposes only. Values taken at the mid point on the wave at the highest point. ** For speed controllers, please see pages 235-287. For ErP efficiency ratings and grades please refer to our Fan Selector for more information.

Drawing and Dimensions



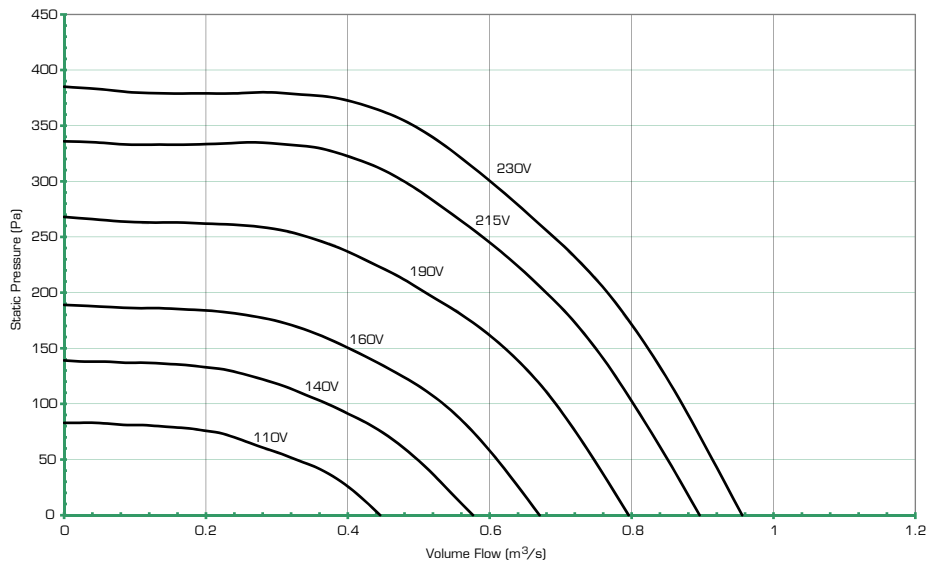
Product Code	A	□ B	□ b	□ C	∅ D	∅ d	Max Weight Kg
ESTOC EC 50-355	500	450	420	500	359	228	36
ESTOC EC 67-400	670	620	590	670	404	257	47
ESTOC EC 67-450	670	620	590	670	454	289	53
ESTOC EC 80-500	800	720	690	800	510	325	84
ESTOC EC 80-560	800	720	690	800	570	362	86
ESTOC EC 102-630	1020	940	910	1020	640	410	102

All dimensions shown in mm

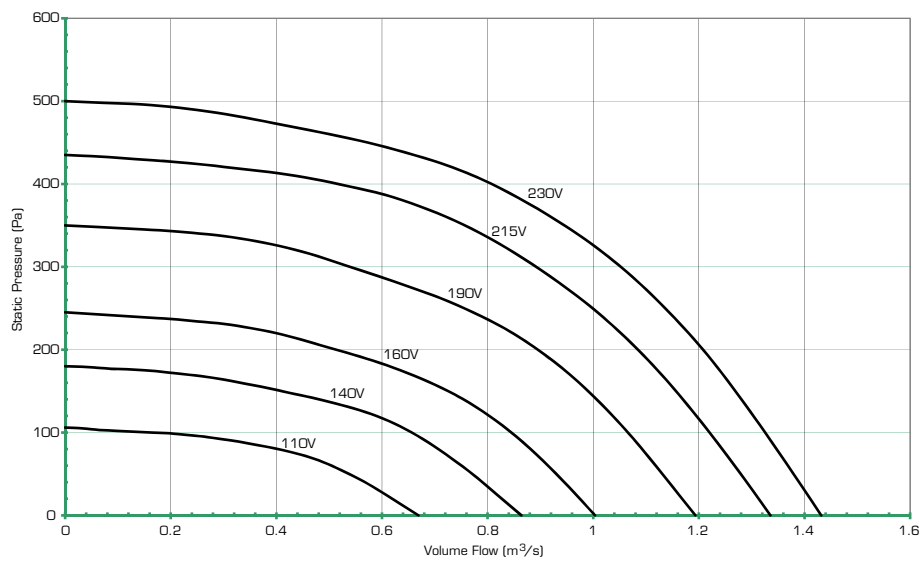
Distribution Range - Products in bold are available from our UK Distributors on next day delivery, if ordered by 4pm. Please call to confirm availability on 0333 320 2489.

Performance Data

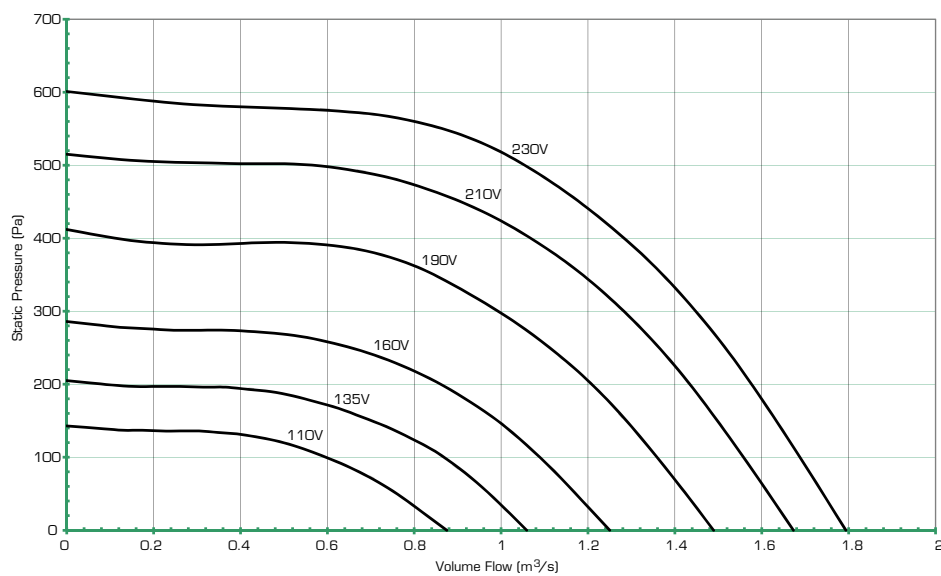
ESTOC EC 50-355 - UB503559



ESTOC EC 67-400 - UB674059

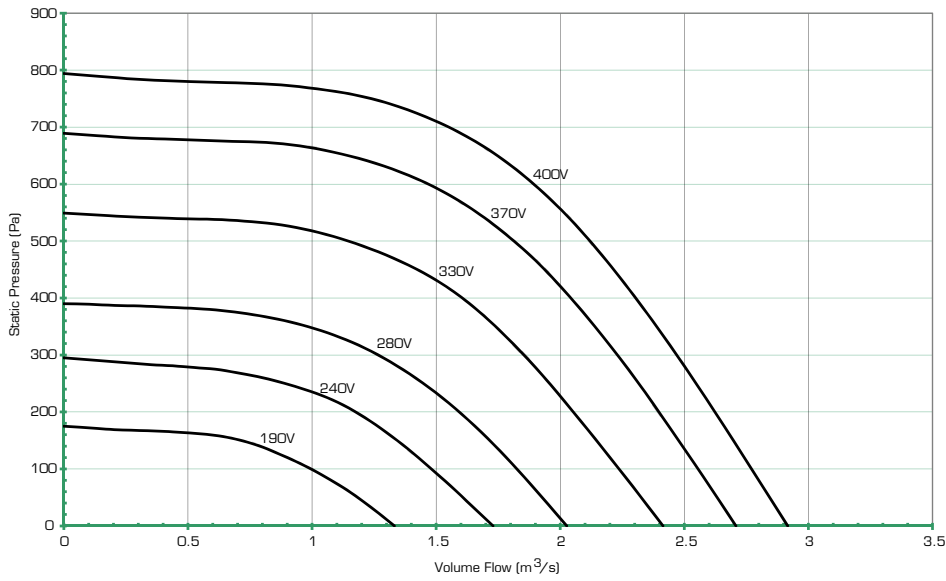


ESTOC EC 67-450 - UB674559

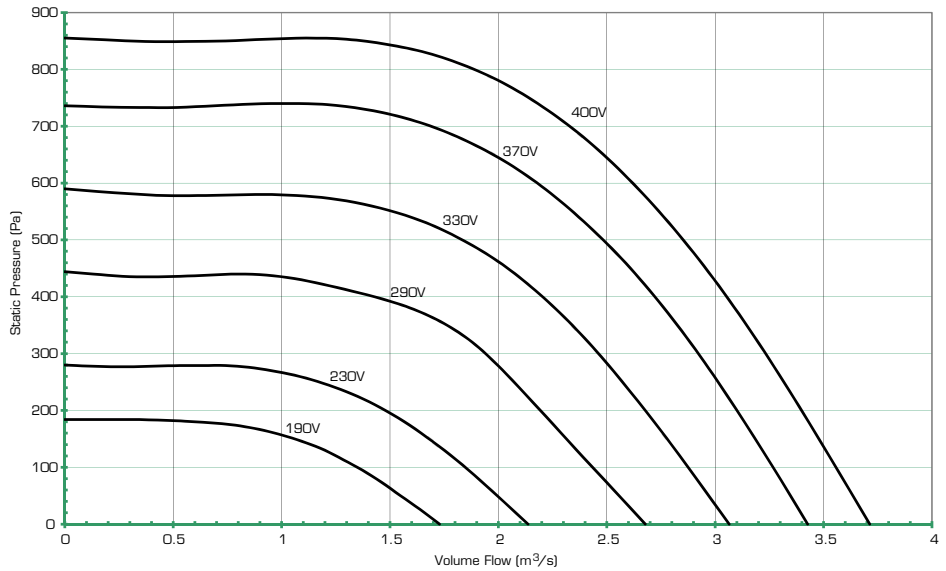


Performance Data

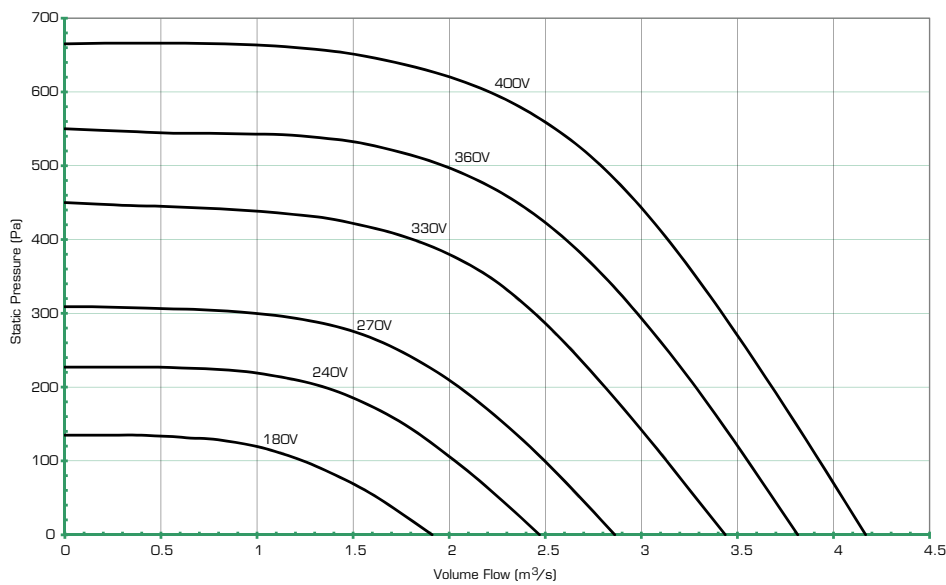
ESTOC EC 80-500 - UB805069



ESTOC EC 80-560 - UB805669



ESTOC EC 102-630 - UB106369

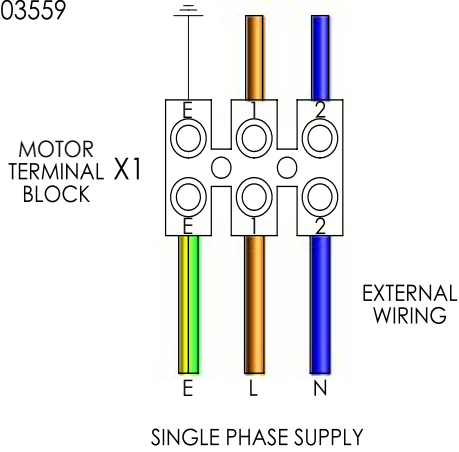


Wiring Diagrams

CD3011

SINGLE PHASE EC POWERBOX FANS - ESTOC

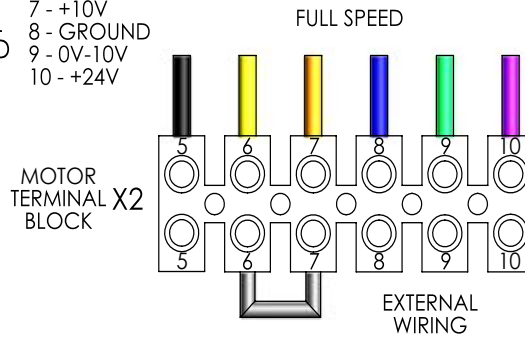
UNIT PN'S:
1PH
UB503559



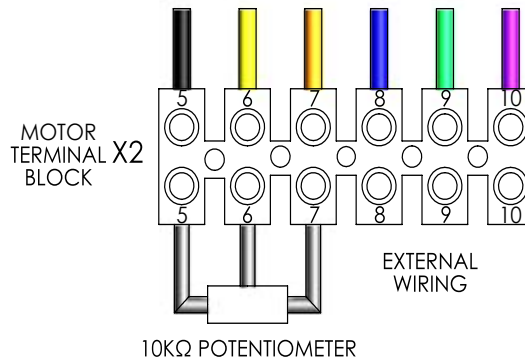
TERMINAL LETTERING

- | | | |
|-------------|------------|------------|
| E - EARTH | 1 - LIVE | 7 - +10V |
| 2 - NEUTRAL | 5 - GROUND | 8 - GROUND |
| 6 - 0V-10V | 10 - +24V | 9 - 0V-10V |

OPERATION MODE OPEN-LOOP CONTROL



VARIABLE SPEED



CD3012

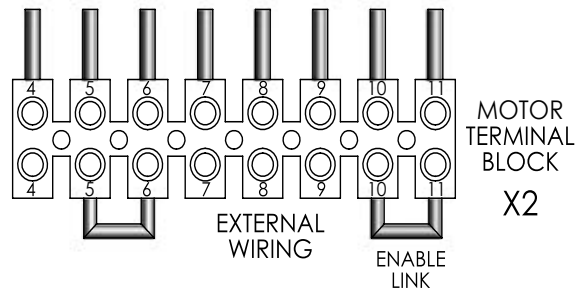
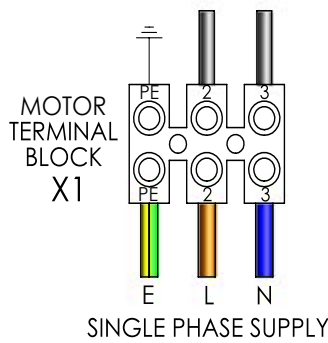
SINGLE & THREE PHASE EC POWERBOX GF FANS ESTOC TARGE

UNIT PN'S:
1PH
UB674059
UB674559
3PH
UB805069
UB805669
UB106369

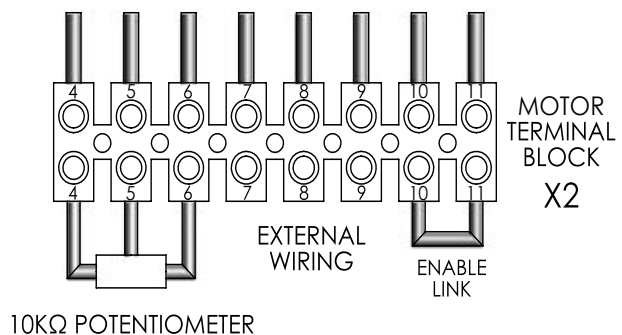
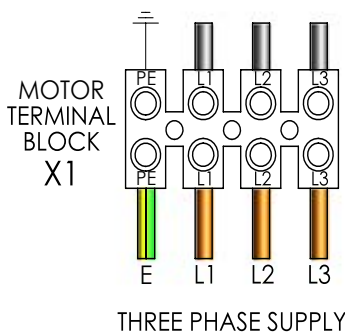
TERMINAL LETTERING

- | | | | | | | | | | | |
|------------|----------|-------------|------------|------------|----------|------------|------------|----------|-----------|-------------|
| PE - EARTH | 2 - LIVE | 3 - NEUTRAL | 4 - GROUND | 5 - 0V-10V | 6 - +10V | 7 - GROUND | 8 - 0V-10V | 9 - +24V | 10 - +24V | 11 - ENABLE |
|------------|----------|-------------|------------|------------|----------|------------|------------|----------|-----------|-------------|

OPERATION MODE OPEN-LOOP CONTROL FULL SPEED



VARIABLE SPEED



POWERBOX FAN - Accessories

SFC - Flexible Connection



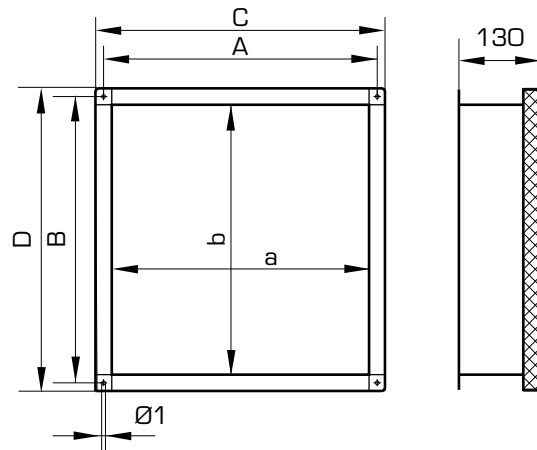
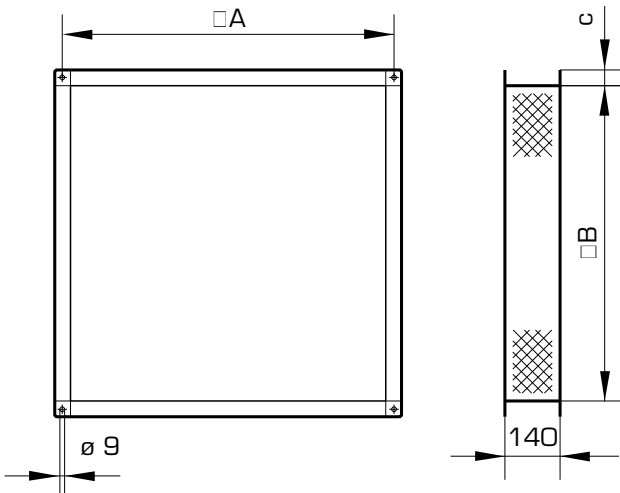
Estoc and Estoc EC SFC connections are made of galvanized sheet steel. Flexible middle section made of PVC woven cloth with a temperature range up to +70°C.

Estoc Targe connections are made of galvanized sheet steel. Flexible middle section made of PU coated fibre glass cloth with a temperature range up to +180°C.

SIC - Insulating Connection



Insulating connection made of galvanized sheet steel for easy cleaning. Mechanical isolation through EPDM - foamed rubber



Product Code	Product Number	A	B	C
ESTOC/ESTOC EC 50-355	B1101030	433	409	20
ESTOC/ESTOC EC 67-400	B1101031	603	579	20
ESTOC/ESTOC EC 67-500	B1101031	603	579	20
ESTOC/ESTOC EC 80-560	B1101033	697	659	30
ESTOC/ESTOC EC 80-630	B1101033	697	659	30
ESTOC/ESTOC EC 102-710	B1101035	917	879	30

Product Code	Product number	Inlet or Outlet	A	B	C
ESTOC TARGE 50-355	B1101073	Outlet	398	218	30
ESTOC TARGE 50-355	B1101074	Inlet	388	388	30
ESTOC TARGE 67-400+450	B1101075	Outlet	568	258	30
ESTOC TARGE 67-400+450	B1101076	Inlet	488	488	30
ESTOC TARGE 80-500+630	B1101077	Outlet	698	338	30
ESTOC TARGE 80-500+630	B1101078	Inlet	618	618	30
ESTOC TARGE 102-630	B1101079	Outlet	918	398	30
ESTOC TARGE 102-630	B1101080	Inlet	788	788	30

Part Number	Product Number	a	b	A	B	C	D
ESTOC TARGE 50-355	B1101142	360	180	390	210	420	240
ESTOC TARGE 50-355	B1101143	350	350	380	380	410	410
ESTOC TARGE 67-400	B1101144	530	220	560	250	590	280
ESTOC TARGE 67-400	B1101145	450	450	480	480	510	510
ESTOC TARGE 67-450	B1101144	530	220	560	250	590	280
ESTOC TARGE 67-450	B1101145	450	450	480	480	510	510
ESTOC TARGE 80-500	B1101148	660	300	690	330	720	360
ESTOC TARGE 80-500	B1101149	580	580	610	610	640	640
ESTOC TARGE 80-560	B1101148	660	300	690	330	720	360
ESTOC TARGE 80-560	B1101149	580	580	610	610	640	640
ESTOC TARGE 80-630	B1101148	660	300	690	330	720	360
ESTOC TARGE 80-630	B1101149	580	580	610	610	640	640

All dimensions shown in mm

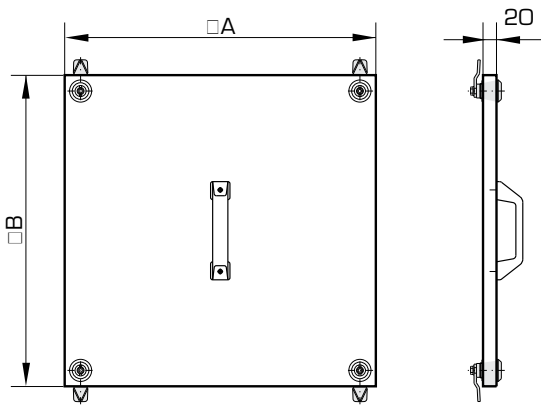
Distribution Range - Products in bold are available from our UK Distributors on next day delivery, if ordered by 4pm. Please call to confirm availability on 0333 320 2489.

POWERBOX FAN - Accessories

SSD - Service Door



Service door for an easy access to the Motorised impeller.



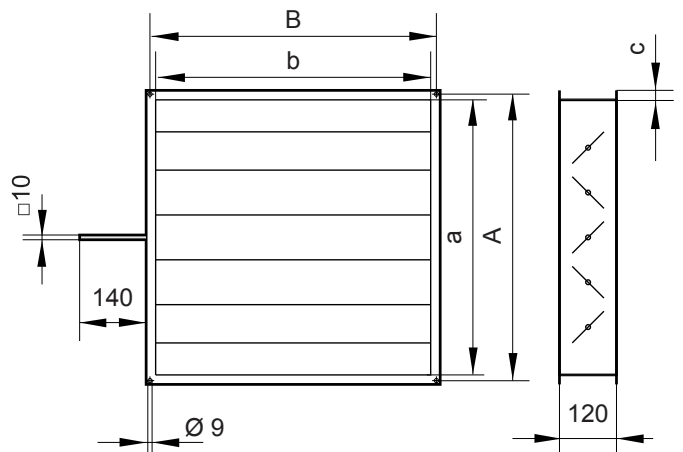
Product Code	Product Number	A	B
ESTOC/ESTOC EC 50-355	BI101042	450	450
ESTOC/ESTOC EC 67-400	BI101043	620	620
ESTOC/ESTOC EC 67-500	BI101043	620	620
ESTOC/ESTOC EC 80-560	BI101045	720	720
ESTOC/ESTOC EC 80-630	BI101045	720	720
ESTOC/ESTOC EC 102-710	BI101047	940	940

Product Code	Product Number	A	B
ESTOC TARGE 50-355	BI101093	450	340
ESTOC TARGE 67-400	BI101094	620	420
ESTOC TARGE 67-450	BI101094	620	420
ESTOC TARGE 67-500	BI101096	620	510
ESTOC TARGE 80-560	BI101097	720	360
ESTOC TARGE 80-630	BI101097	720	360

SAD - Air Damper



For mounting on estoc. Casings made of galvanized sheet steel, lamellas of aluminium. Exterior adjusting lever for regulating mechanism of lamellas.



Product Code	Product Number	a	b	A	B	c
ESTOC/ESTOC EC 50-355	BI101048	409	409	433	433	20
ESTOC/ESTOC EC 67-400	BI101049	579	579	603	603	20
ESTOC/ESTOC EC 67-500	BI101049	579	579	603	603	20
ESTOC/ESTOC EC 80-560	BI101051	659	659	697	697	30
ESTOC/ESTOC EC 80-630	BI101051	659	659	697	697	30
ESTOC/ESTOC EC 102-710	BI101053	879	879	917	917	30

Product Code	Product Number	a	b	A	B	c
ESTOC TARGE50-355	BI101100	359	180	397	218	30
ESTOC TARGE 67-400	BI101101	529	220	567	258	30
ESTOC TARGE 67-450	BI101101	529	220	567	258	30
ESTOC TARGE 80-500	BI101103	659	300	697	338	30
ESTOC TARGE 80-560	BI101103	659	300	697	338	30
ESTOC TARGE 80-630	BI101103	659	300	697	338	30

All dimensions shown in mm

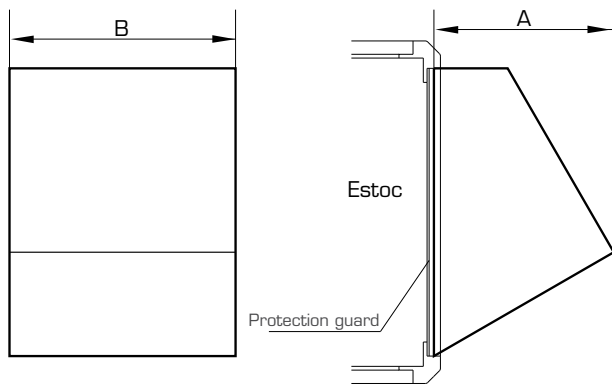
Distribution Range - Products in bold are available from our UK Distributors on next day delivery, if ordered by 4pm.

POWERBOX FAN - Accessories

SOC - Outlet Cover



Rain safe outlet cover made of galvanized sheet steel, for installation in free-blowing unit.



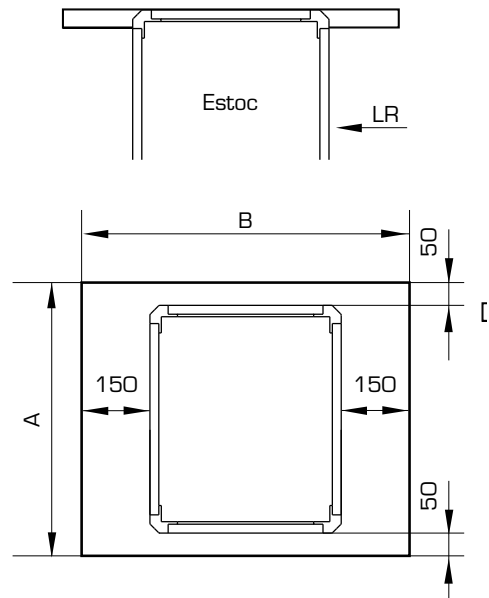
Product Code	Product Number	A	B
ESTOC/ESTOC EC 50-355	B1101054	300	450
ESTOC/ESTOC EC 67-400	B1101055	380	620
ESTOC/ESTOC EC 67-500	B1101055	380	620
ESTOC/ESTOC EC 80-560	B1101057	430	720
ESTOC/ESTOC EC 80-630	B1101057	430	720
ESTOC/ESTOC EC 102-710	B1101059	520	940

Product Code	Product Number	A	B
ESTOC TARGE 50-355	B1101107	300	240
ESTOC TARGE 67-400	B1101108	380	280
ESTOC TARGE 67-450	B1101108	380	280
ESTOC TARGE 80-500	B1101110	430	360
ESTOC TARGE 80-560	B1101110	430	360
ESTOC TARGE 80-630	B1101110	430	360
ESTOC TARGE 102-630	B1101113	520	420

SWR - Roof Weather Protection



Additional protection when mounted outside made of corrosion-resistant aluminium.



Product Code	Product Number	A	B
ESTOC/ESTOC EC 50-355	B1101060	600	800
ESTOC/ESTOC EC 67-400	B1101061	770	970
ESTOC/ESTOC EC 67-450	B1101061	770	970
ESTOC/ESTOC EC 67-500	B1101061	770	970
ESTOC/ESTOC EC 80-560	B1101063	900	1100
ESTOC/ESTOC EC 80-630	B1101063	900	1100
ESTOC/ESTOC EC 102-710	B1101065	1120	1320

Product Code	Product Number	A	B
ESTOC TARGE 50-355	B1101121	600	720
ESTOC TARGE 67-400	B1101122	770	800
ESTOC TARGE 67-450	B1101122	770	800
ESTOC TARGE 67-500	B1101124	900	890
ESTOC TARGE 80-560	B1101125	900	1040
ESTOC TARGE 80-630	B1101126	900	1100
ESTOC TARGE 102-710	B1101127	1120	1180

All dimensions shown in mm

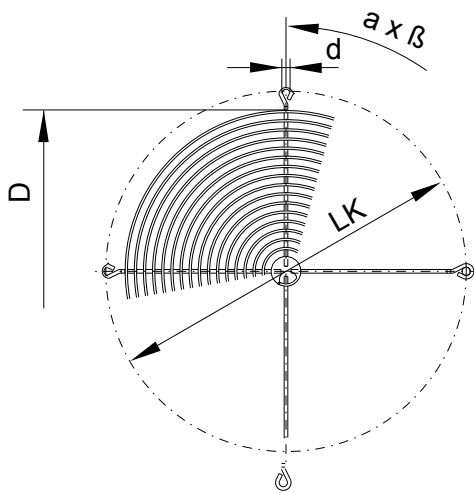
Distribution Range - Products in bold are available from our UK Distributors on next day delivery, if ordered by 4pm. Please call to confirm availability on 0333 320 2489.

POWERBOX FAN - Accessories

SIG - Protection Guard



Protection guard for suction side cover made of steel.



Product Code	Product Number	D	LK	d	a x β
ESTOC/ESTOC EC 50-355	B1101066	270	320	9	3x120°
ESTOC/ESTOC EC 67-400	B1101067	310	356	9	3x120°
ESTOC/ESTOC EC 67-450	B1101068	350	395	9	4x90°
ESTOC/ESTOC EC 67-500	B1101069	390	438	9	4x90°
ESTOC/ESTOC EC 80-560	B1101070	450	490	11,5	4x90°
ESTOC/ESTOC EC 80-630	B1101071	490	541	11,5	4x90°
ESTOC/ESTOC EC 102-710	B1101072	630	674	11,5	8x45°

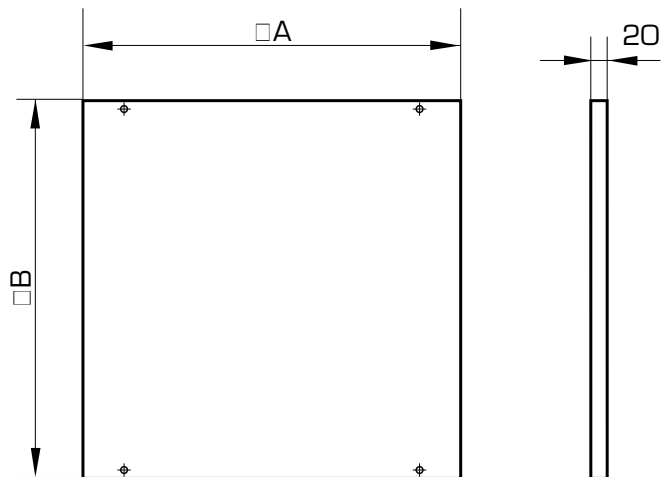
All dimensions shown in mm

Distribution Range - Products in bold are available from our UK Distributors on next day delivery, if ordered by 4pm.

SSC - Side Covering



For covering of casing sides with integrated insulating.



Product Code	Product Number	A	B
ESTOC/ESTOC EC 50-355	B1101036	450	450
ESTOC/ESTOC EC 67-400	B1101037	620	620
ESTOC/ESTOC EC 67-500	B1101037	620	620
ESTOC/ESTOC EC 80-560	B1101039	720	720
ESTOC/ESTOC EC 80-630	B1101039	720	720
ESTOC/ESTOC EC 102-710	B1101041	940	940

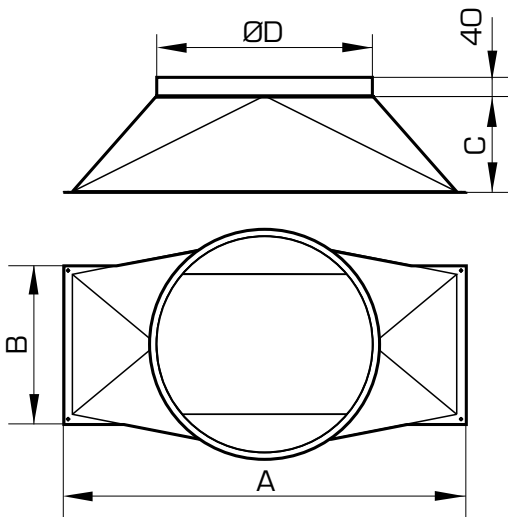
Product Code	Product Number	A	B
ESTOC TARGE 50-355	B1101081	450	340
ESTOC TARGE 67-400	B1101082	590	420
ESTOC TARGE 67-450	B1101082	590	420
ESTOC TARGE 80-500	B1101084	720	510
ESTOC TARGE 80-560	B1101085	720	220
ESTOC TARGE 80-560	B1101086	720	360
ESTOC TARGE 80-560	B1101087	720	280
ESTOC TARGE 80-630	B1101085	720	220
ESTOC TARGE 80-630	B1101086	720	360
ESTOC TARGE 80-630	B1101087	720	280
ESTOC TARGE 102-630	B1101091	940	300
ESTOC TARGE 102-630	B1101092	940	420

POWERBOX FAN - Accessories

STP - Adapter Piece (Estoc Targe only)



Allows seamless intersection on outlet side on a standard diameter, made of galvanized sheet steel.



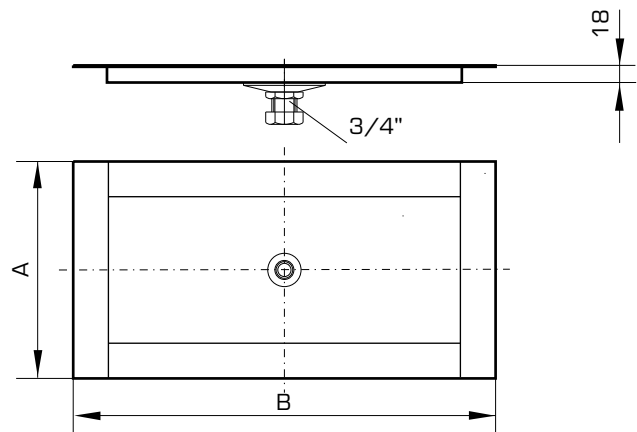
SDT - Drip Tray (Estoc Targe only)



For absorbing of condensation with discharge nozzles for flexible tube connection. Connection: 3/4".

This accessory must be ordered in conjunction with the unit and cannot be supplied separate.

Please note:
Accessory cannot be fitted on site and must be ordered with unit



Product Code	Product Number	A	B	C	ØD	Hole (St./Pcs.)
ESTOC TARGE 50-355	BI101114	418	238	250	355	4
ESTOC TARGE 67-400	BI101115	588	278	280	450	6
ESTOC TARGE 67-450	BI101115	588	278	280	450	6
ESTOC TARGE 80-500	BI101117	718	358	320	560	6
ESTOC TARGE 80-560	BI101117	718	358	320	560	6
ESTOC TARGE 80-630	BI101117	718	358	320	560	6
ESTOC TARGE 102-630	BI101120	938	418	400	630	8

Product Code	Product Number	A	B
ESTOC TARGE 50-355	BI101128	268	448
ESTOC TARGE 67-400	BI101129	308	618
ESTOC TARGE 67-450	BI101129	308	618
ESTOC TARGE 80-500	BI101131	368	748
ESTOC TARGE 80-560	BI101132	388	748
ESTOC TARGE 80-630	BI101132	388	748
ESTOC TARGE 102-630	BI101134	448	968

All dimensions shown in mm

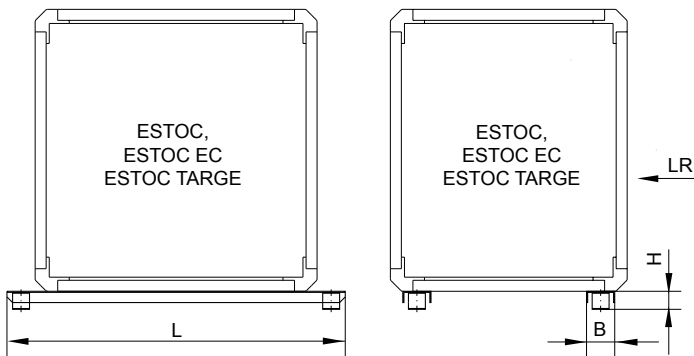
Distribution Range - Products in bold are available from our UK Distributors on next day delivery, if ordered by 4pm. Please call to confirm availability on 0333 320 2489.

POWERBOX FAN - Accessories

SMT - Mounting Track



For quick and easy assembly. One delivery set contains two pieces.



Part Code	Part Number	L	B	H	
ESTOC TARGE 50-355	ESTOC/ESTOC EC 50-355	BI101135	600	50	32
ESTOC TARGE 67-400	ESTOC/ESTOC EC 67-400	BI101136	770	50	32
ESTOC TARGE 67-450	ESTOC/ESTOC EC 67-450	BI101136	770	50	32
ESTOC TARGE 80-500	ESTOC/ESTOC EC 80-500	BI101136	900	60	52.5
ESTOC TARGE 80-560	ESTOC/ESTOC EC 80-560	BI101138	900	60	52.5
ESTOC TARGE 80-630	ESTOC/ESTOC EC 80-630	BI101138	900	60	52.5
ESTOC TARGE 102-630	ESTOC/ESTOC EC 102-630	BI101141	1120	60	52.5

All dimensions shown in mm

Distribution Range - Products in bold are available from our UK Distributors on next day delivery, if ordered by 4pm.

AIRTREND Limited
 Predstavništvo u Beogradu
 Kumanovska 14
 11000 Beograd
 Tel: 011 3836886, 3085740
 Faks: 011 3444113
 e-mail: gobrid@eunet.rs
 web: www.airtrend.rs